

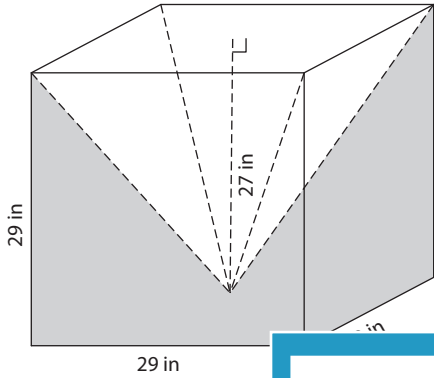
Name : _____

Volume - Composite Shapes

Sheet 3

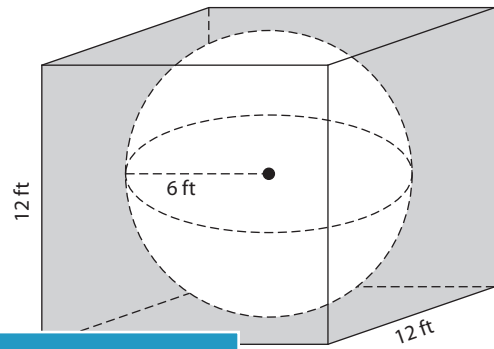
Find the volume of each shaded region. Round your answer to two decimal places.
(use $\pi = 3.14$)

1)

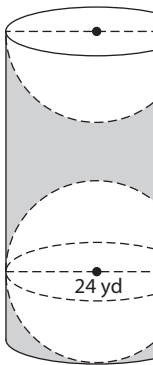


Volume = _____

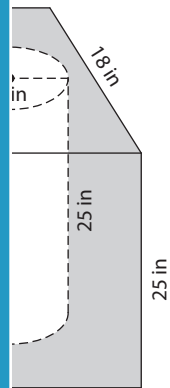
2)



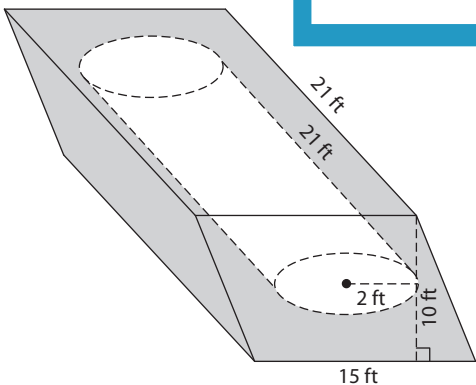
3)



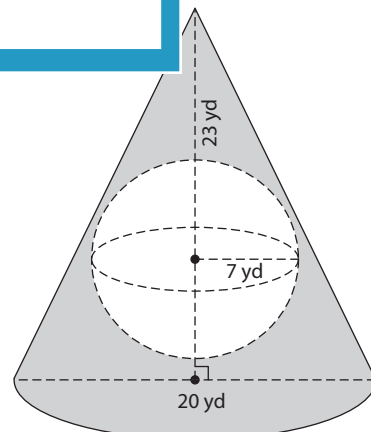
Volume = _____



5)



Volume = _____



Volume = _____

PREVIEW

Gain complete access to the largest collection of worksheets in all subjects!

Members, please log in to download this worksheet.

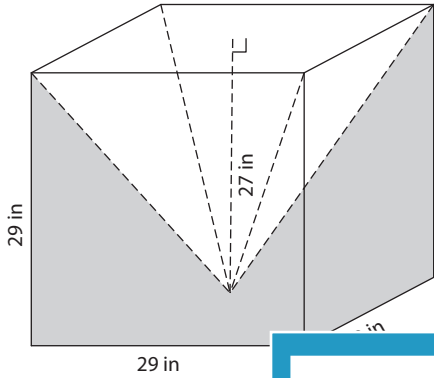
Not a member? Please sign up to gain complete access.

www.mathworksheets4kids.com

Volume - Composite Shapes

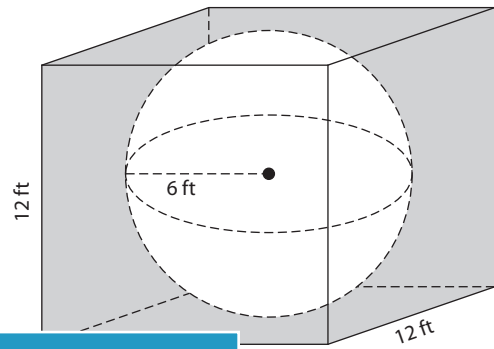
Find the volume of each shaded region. Round your answer to two decimal places.
(use $\pi = 3.14$)

1)



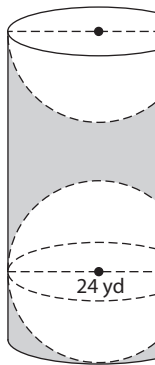
Volume = 4,712.71

2)

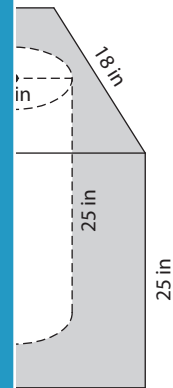


823.68 ft³

3)

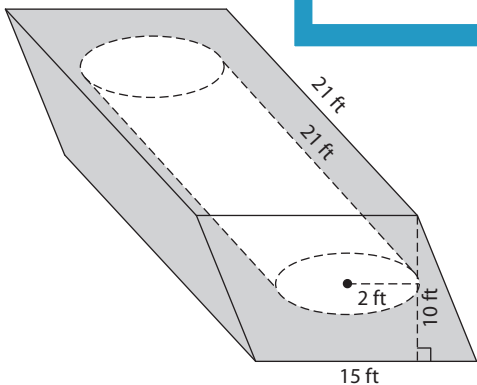


Volume = 2,714.4

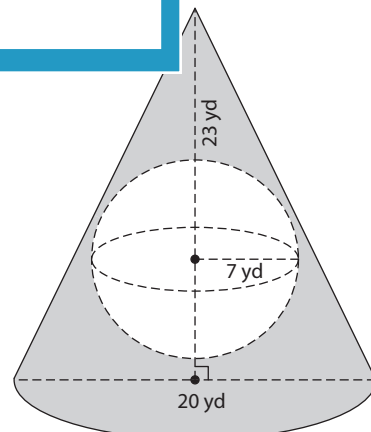


7,786 in³

5)



Volume = 2,886.24 ft³



Volume = 971.31 yd³

PREVIEW

Gain complete access to the largest collection of worksheets in all subjects!

Members, please log in to download this worksheet.

Not a member? Please sign up to gain complete access.

www.mathworksheets4kids.com