

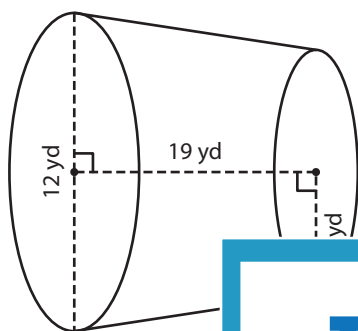
Name : _____

Volume - Cone

ES3

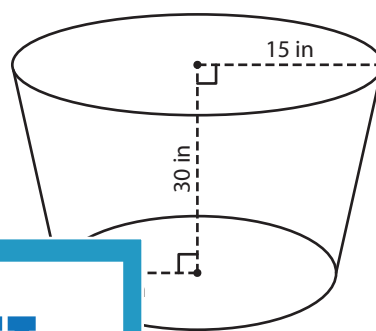
Find the volume of each conical frustum. Round your answer to two decimal places. (use $\pi = 3.14$)

1)



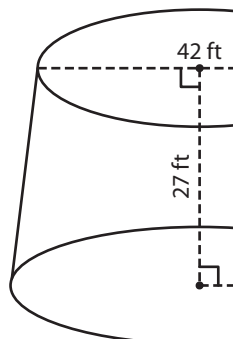
Volume = _____

2)



Volume = _____

3)



Volume = _____

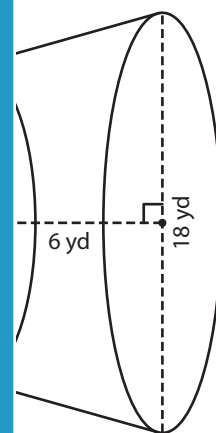
PREVIEW

Gain complete access to the largest collection of worksheets in all subjects!

Members, please log in to download this worksheet.

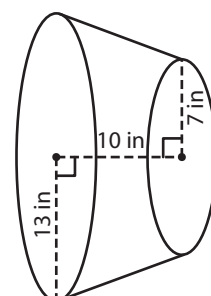
Not a member? Please sign up to gain complete access.

www.mathworksheets4kids.com



Volume = _____

5) The height of the frustum of a cone is 10 inches. If the radii at the ends of the frustum are 7 inches and 13 inches, find its volume. Round your answer to two decimal places. (use $\pi = 3.14$)



Name : _____

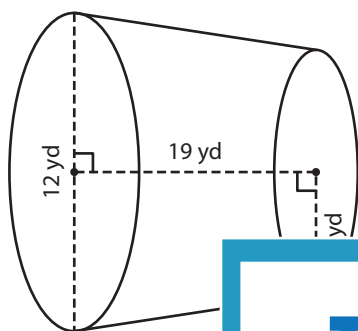
Answer key

Volume - Cone

ES3

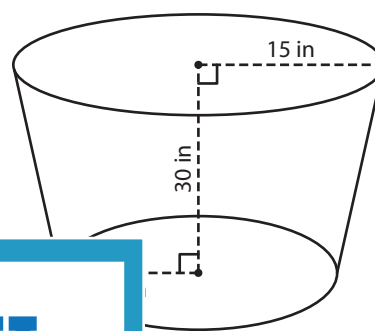
Find the volume of each conical frustum. Round your answer to two decimal places. (use $\pi = 3.14$)

1)



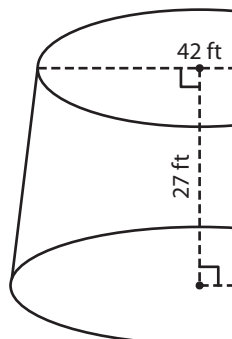
Volume = 1,511.4

2)



Volume = 10,205 in³

3)



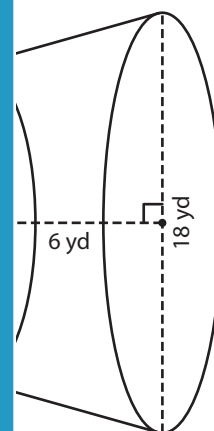
Volume = 39,144

PREVIEW
Gain complete access to the largest collection of worksheets in all subjects!

Members, please log in to download this worksheet.

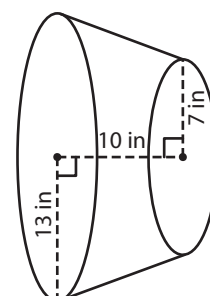
Not a member? Please sign up to gain complete access.

www.mathworksheets4kids.com



Volume = 734.76 yd³

5) The height of the frustum of a cone is 10 inches. If the radii at the ends of the frustum are 7 inches and 13 inches, find its volume. Round your answer to two decimal places. (use $\pi = 3.14$)



Volume = 3,234.2 cubic inches