

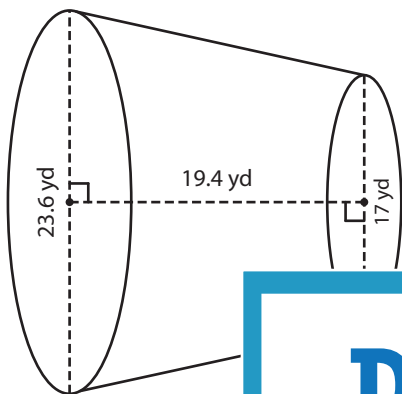
Name : _____

Volume - Cone

MS3

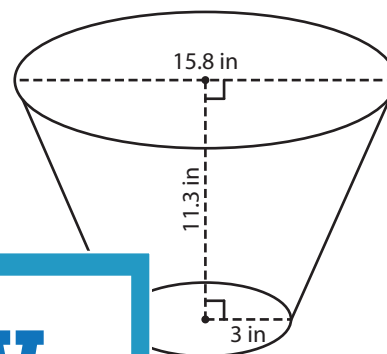
Find the volume of each conical frustum. Round your answer to two decimal places. (use $\pi = 3.14$)

1)

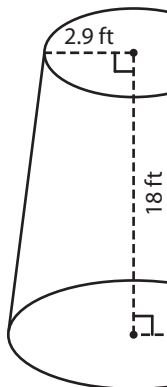


Volume = _____

2)



3)



Volume = _____

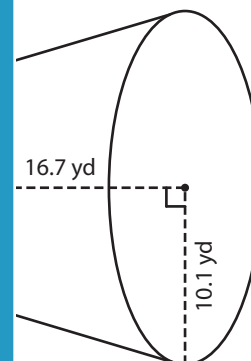
PREVIEW

Gain complete access to the largest collection of worksheets in all subjects!

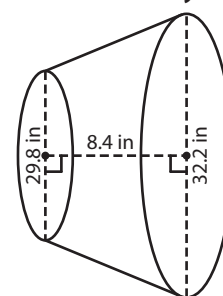
Members, please log in to download this worksheet.

Not a member? Please sign up to gain complete access.

www.mathworksheets4kids.com



5) The diameter of the ends of a frustum of a cone are 29.8 inches and 32.2 inches. The height of the frustum is 8.4 inches. Determine the volume of the frustum. Round your answer to two decimal places. (use $\pi = 3.14$)



Name : _____

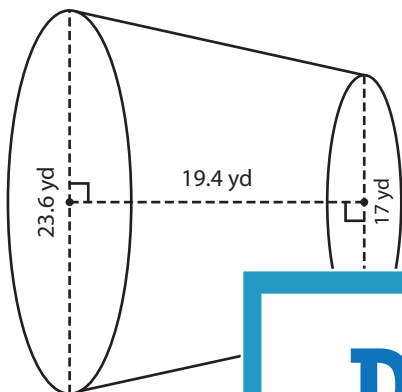
Answer key

Volume - Cone

MS3

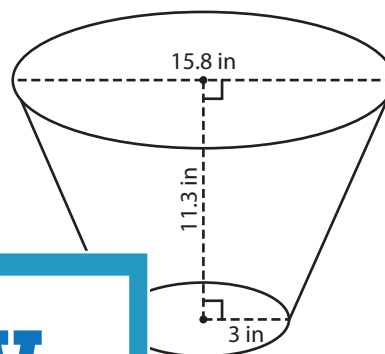
Find the volume of each conical frustum. Round your answer to two decimal places. (use $\pi = 3.14$)

1)



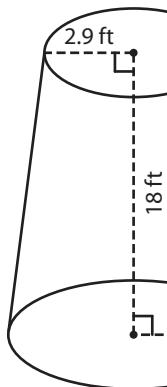
Volume = 6,

2)



1,124.9 in³

3)



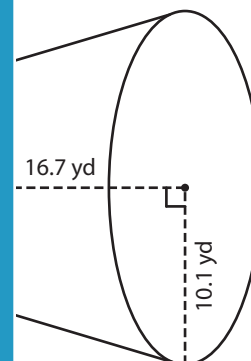
Volume = 90

PREVIEW
Gain complete access to the largest collection of worksheets in all subjects!

Members, please log in to download this worksheet.

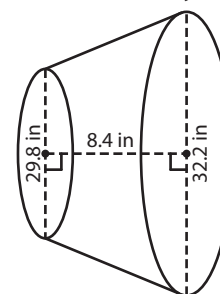
Not a member? Please sign up to gain complete access.

www.mathworksheets4kids.com



2,931.46 yd³

5) The diameter of the ends of a frustum of a cone are 29.8 inches and 32.2 inches. The height of the frustum is 8.4 inches. Determine the volume of the frustum. Round your answer to two decimal places. (use $\pi = 3.14$)



6,340 cubic inches