

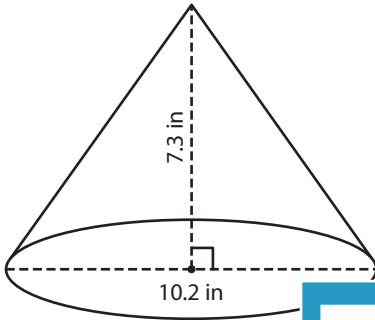
Name : _____

Volume - Cone

Decimals: MS1

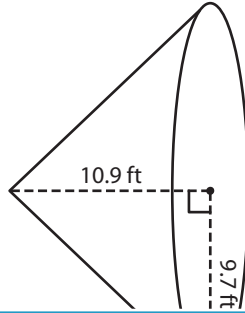
A) Find the volume of each cone. Round your answer to two decimal places.
(use $\pi = 3.14$)

1)



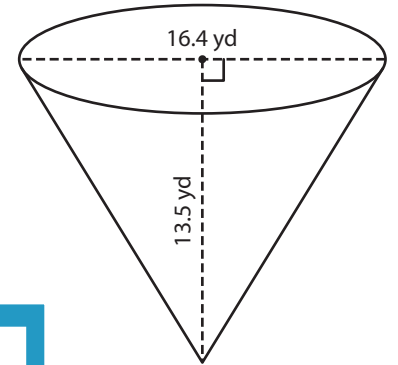
Volume = _____

2)



Volume = _____

3)



Volume = _____

B) Find the volume of each cone. Round your answer to two decimal places.

4) radius = 17.9 in ; height = 12.5 in

Volume = _____

6) diameter = 19.6 yd ; height = 10.2 yd

Volume = _____

5) Round your answer to two decimal places.

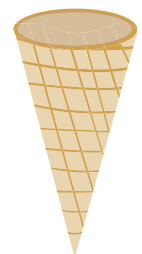
diameter = 26.8 ft ; height = 15.3 ft

Volume = _____

radius = 8 in ; height = 12.5 in

Volume = _____

8) Find the volume of an ice cream cone of a height of 3.9 inches and diameter of 2.4 inches. Round your answer to two decimal places. (use $\pi = 3.14$)



Name : _____

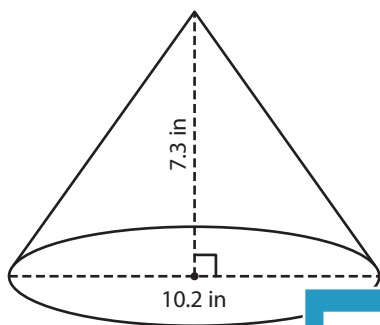
Answer key

Volume - Cone

Decimals: MS1

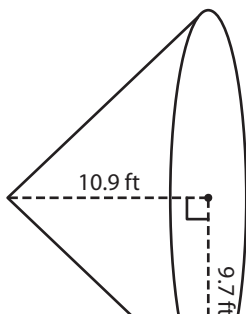
A) Find the volume of each cone. Round your answer to two decimal places.
(use $\pi = 3.14$)

1)



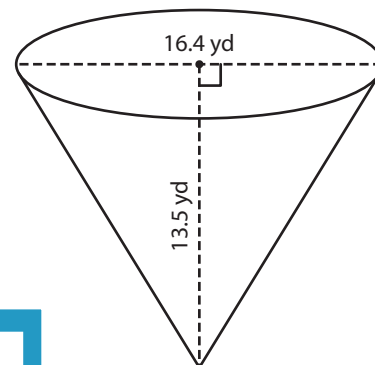
Volume = 198.73

2)



Volume = 8,048.

3)



Volume = 950.1 yd³

B) Find the volume of each cone. Round your answer to two decimal places.

4) radius = 17.9 in ; height = 12.5 in

Volume = 8,048.

6) diameter = 19.6 yd ; height = 12.5 yd

Volume = 1,156 yd³

5) radius = 10.5 ft ; height = 12.5 ft

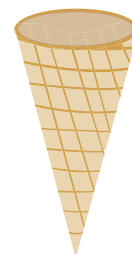
diameter = 26.8 ft

Volume = 50.65 ft³

radius = 8 in ; height = 12.5 in

Volume = 817.24 in³

8) Find the volume of an ice cream cone of a height of 3.9 inches and diameter of 2.4 inches. Round your answer to two decimal places. (use $\pi = 3.14$)



5.88 cubic inches