

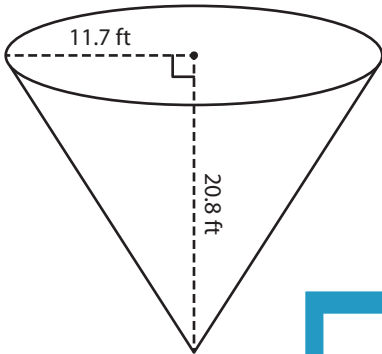
Name : \_\_\_\_\_

## Volume - Cone

Decimals: MS2

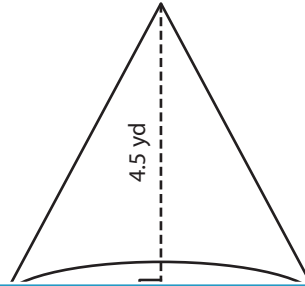
A) Find the volume of each cone. Round your answer to two decimal places.  
(use  $\pi = 3.14$ )

1)



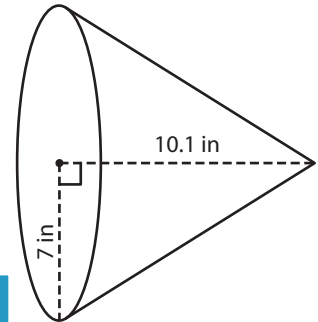
Volume = \_\_\_\_\_

2)



Volume = \_\_\_\_\_

3)



Volume = \_\_\_\_\_

B) Find the volume of each cone. Round your answer to two decimal places.

4) height = 9.4 ft ; diameter = 18.8 ft

Volume = \_\_\_\_\_

5) radius = 18.5 yd ; height = 11.2 yd

Volume = \_\_\_\_\_

6) radius = 13.3 in ; height = 16.7 ft

Volume = \_\_\_\_\_

Volume = \_\_\_\_\_

8) A necklace has a conical gold pendant. If the height and diameter of the solid pendant are 1.2 inches and 0.4 inches respectively, how much metal is used in the pendant? Round your answer to two decimal places. (use  $\pi = 3.14$ )



# PREVIEW

Gain complete access to the largest collection of worksheets in all subjects!

Members, please log in to download this worksheet.

Not a member? Please sign up to gain complete access.

www.mathworksheets4kids.com

Name : \_\_\_\_\_

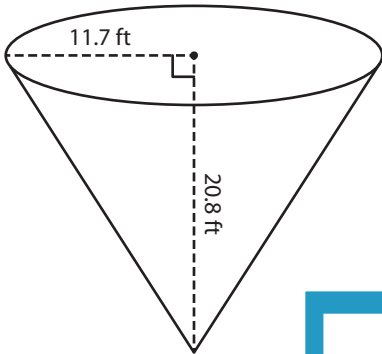
## Answer key

### Volume - Cone

Decimals: MS2

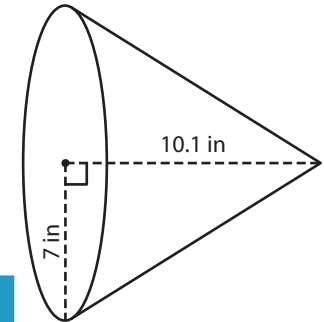
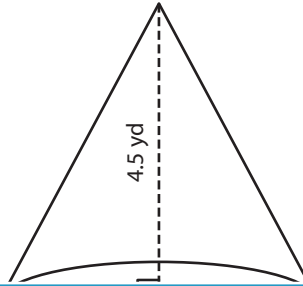
A) Find the volume of each cone. Round your answer to two decimal places.  
(use  $\pi = 3.14$ )

1)



Volume = 2,980.1

2)



Volume = 518 in<sup>3</sup>

B) Find the volume of each cone. Round your answer to two decimal places.

4) height = 9.4 ft ; diameter = 18.8 ft

Volume = 727.6

6) radius = 13.3 in ; height = 16.7 ft

5) radius = 18.5 yd

Volume = 39.1 yd<sup>3</sup>

height = 16.7 ft

# PREVIEW

Gain complete access to the largest collection of worksheets in all subjects!

Members, please log in to download this worksheet.

Not a member? Please sign up to gain complete access.

[www.mathworksheets4kids.com](http://www.mathworksheets4kids.com)

Volume = 1,092.35 in<sup>3</sup>

Volume = 3,675.03 ft<sup>3</sup>

8) A necklace has a conical gold pendant. If the height and diameter of the solid pendant are 1.2 inches and 0.4 inches respectively, how much metal is used in the pendant? Round your answer to two decimal places. (use  $\pi = 3.14$ )

0.05 cubic inches

