

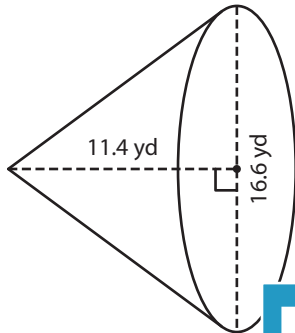
Name : _____

Volume - Cone

Decimals: MS3

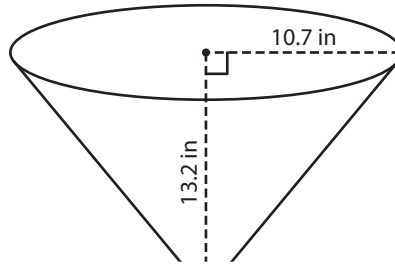
A) Find the volume of each cone. Round your answer to two decimal places.
(use $\pi = 3.14$)

1)



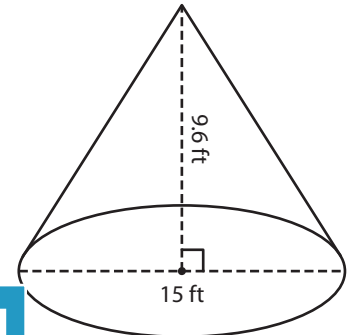
Volume = _____

2)



Volume = _____

3)



B) Find the volume of each cone. Round your answer to two decimal places.

4) height = 20 yd ; radius = 12 yd

Volume = _____

6) diameter = 8.4 ft ; height = 14.9 in

Volume = _____

Gain complete access to the largest collection of worksheets in all subjects!

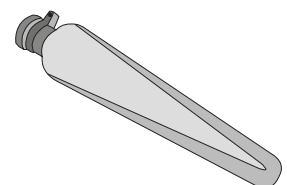
Members, please log in to download this worksheet.

Not a member? Please sign up to gain complete access.

www.mathworksheets4kids.com

Volume = _____

8) A horse rider uses a cone-shaped saddle flask to store water. If the height and diameter of the flask are 9 inches and 2.5 inches respectively, how much water can the rider carry in the flask? Round your answer to two decimal places. (use $\pi = 3.14$)



Name : _____

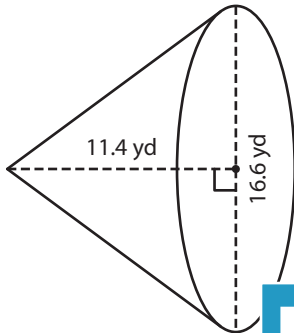
Answer key

Volume - Cone

Decimals: MS3

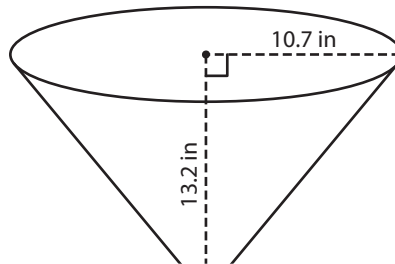
A) Find the volume of each cone. Round your answer to two decimal places.
(use $\pi = 3.14$)

1)



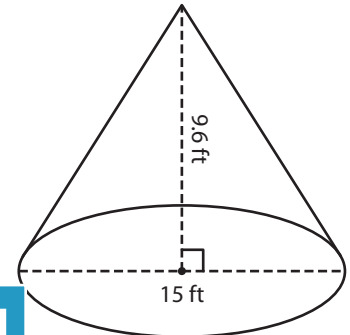
Volume = 822 yd³

2)



Volume = 565.2 ft³

3)



B) Find the volume of each cone. Round your answer to two decimal places.

4) height = 20 yd ; radius = 10 yd

Volume = 6,410.8 yd³

5) radius = 12.1 in ; height = 14.9 in

Volume = 12.25 in³

6) diameter = 8.4 ft ; height = 12.7 ft

Volume = 123.7 ft³

Volume = 4,490 yd³

8) A horse rider uses a cone-shaped saddle flask to store water. If the height and diameter of the flask are 9 inches and 2.5 inches respectively, how much water can the rider carry in the flask? Round your answer to two decimal places. (use $\pi = 3.14$)

14.72 cubic inches

