

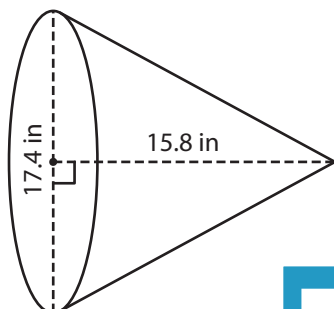
Name : _____

Volume - Cone

Decimals: MS5

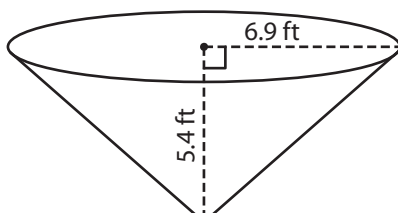
A) Find the volume of each cone. Round your answer to two decimal places.
(use $\pi = 3.14$)

1)



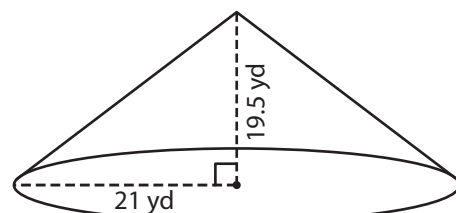
Volume = _____

2)



Volume = _____

3)



B) Find the volume of each cone. Round your answer to two decimal places.

4) radius = 11.4 yd ; height = 12.3 in

Volume = _____

6) height = 23 ft ; diameter = 10 ft

Volume = _____

Volume = _____

8) Dan makes a party hat. The diameter is 5 inches and the height 9.2 inches. What is the volume of the hat? Round your answer to two decimal places. (use $\pi = 3.14$)



PREVIEW

Gain complete access to the largest collection of worksheets in all subjects!

Members, please log in to download this worksheet.

Not a member? Please sign up to gain complete access.

www.mathworksheets4kids.com

Name : _____

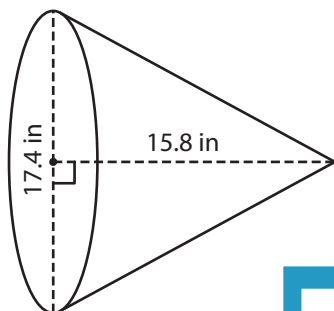
Answer key

Volume - Cone

Decimals: MS5

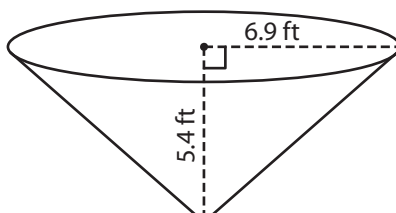
A) Find the volume of each cone. Round your answer to two decimal places.
(use $\pi = 3.14$)

1)



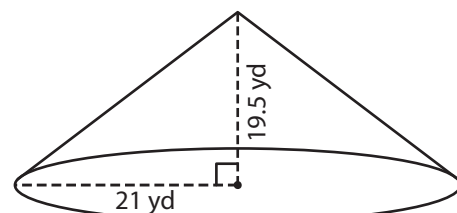
Volume = 1,251.7

2)



Volume = 9,000.81 yd³

3)



B) Find the volume of each cone. Round your answer to two decimal places.

4) radius = 11.4 yd ; height = 12.3 in

Volume = 2,271.6

6) height = 23 ft ; diameter = 10 ft

Volume = 3,944.17 ft³

Volume = 951.78 yd³

8) Dan makes a party hat. The diameter is 5 inches and the height 9.2 inches. What is the volume of the hat? Round your answer to two decimal places. (use $\pi = 3.14$)

60.18 cubic inches

