

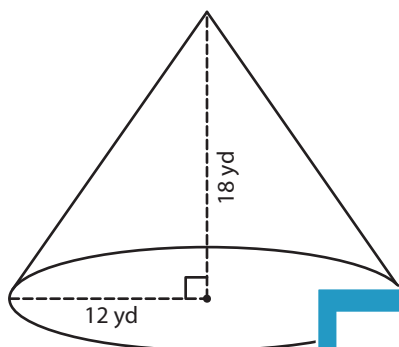
Name : _____

Volume - Cone

Integers: MS5

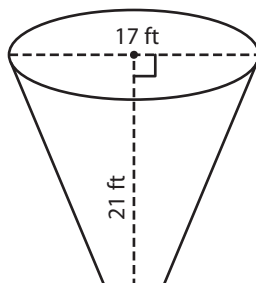
A) Find the volume of each cone. Round your answer to two decimal places.
(use $\pi = 3.14$)

1)



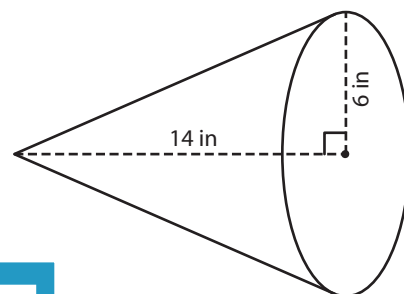
Volume = _____

2)



Volume = _____

3)



B) Find the volume of each cone. Round your answer to two decimal places.

4) height = 16 ft ; diameter = 10 ft

Volume = _____

6) height = 28 yd ; radius = 10 yd

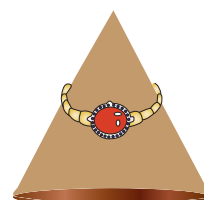
Volume = _____

5) height = 4 in ; radius = 3 in

Volume = _____

Volume = _____

8) A bracelet holder is in the shape of a cone. If it has a height of 4 inches and diameter of 3 inches, find the volume of the holder. (use $\pi = 3.14$)



Name : _____

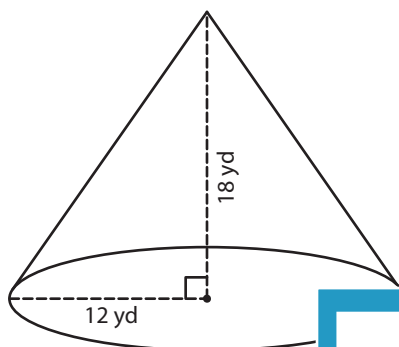
Answer key

Integers: MS5

Volume - Cone

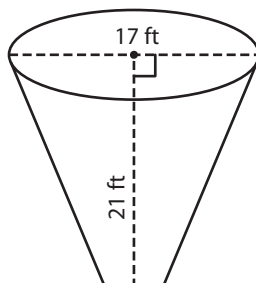
A) Find the volume of each cone. Round your answer to two decimal places.
(use $\pi = 3.14$)

1)



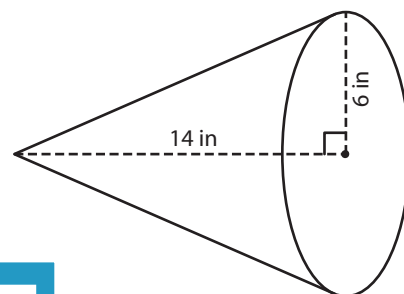
Volume = 2,712.96

2)



Volume = 527.52 in³

3)



B) Find the volume of each cone. Round your answer to two decimal places.

4) height = 16 ft ; diameter = 10 ft

Volume = 3,768

6) height = 28 yd ; radius = 10 yd

Volume = 732.67 yd³

5) height = 4 in ; radius = 6 in

height = 4 in

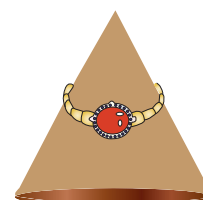
Volume = 301.68 in³

height = 24 ft ; radius = 10 ft

Volume = 1,607.68 ft³

8) A bracelet holder is in the shape of a cone. If it has a height of 4 inches and diameter of 3 inches, find the volume of the holder. (use $\pi = 3.14$)

9.42 cubic inches



PREVIEW

Gain complete access to the largest collection of worksheets in all subjects!

Members, please log in to download this worksheet.

Not a member? Please sign up to gain complete access.

www.mathworksheets4kids.com