


Name : _____

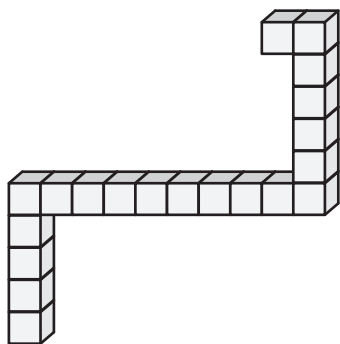
Counting Cubes - Solid Blocks

ES1

Count the unit cubes and find the volume of each solid block.

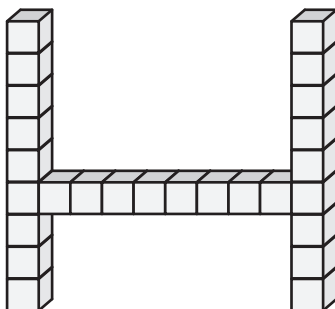
 = 1 in³

1)



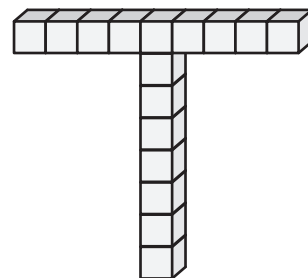
Volume = _____

2)



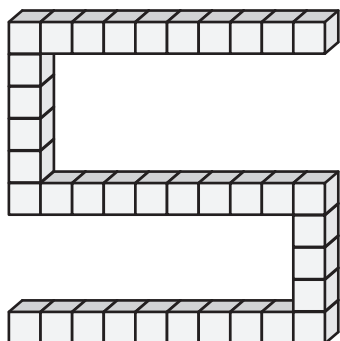
Volume = _____

3)



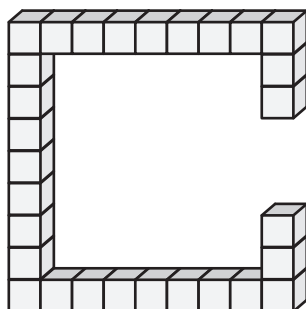
Volume = _____

4)



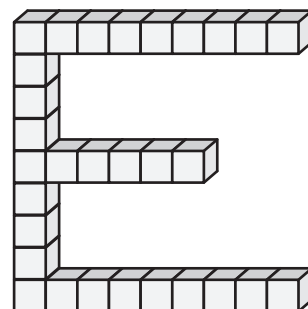
Volume = _____

5)



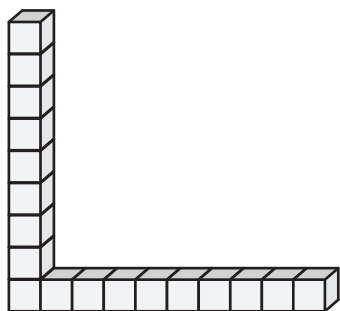
Volume = _____

6)



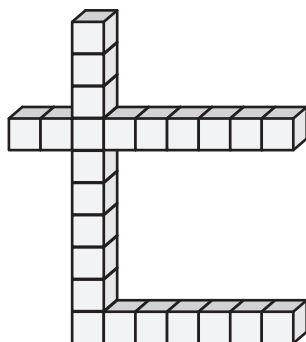
Volume = _____

7)



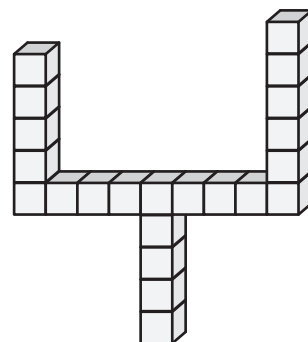
Volume = _____

8)



Volume = _____

9)



Volume = _____

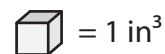
Name : _____

Answer key

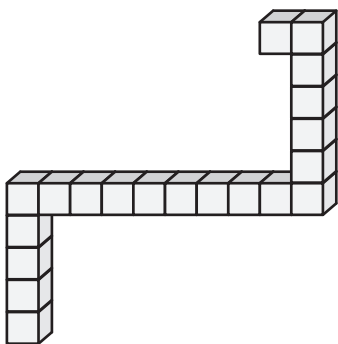
Counting Cubes - Solid Blocks

ES1

Count the unit cubes and find the volume of each solid block.

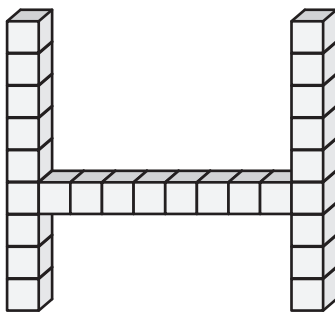


1)



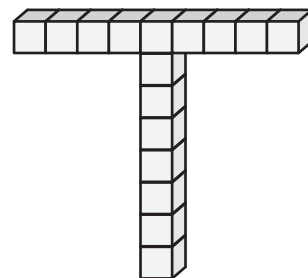
Volume = 20 in³

2)



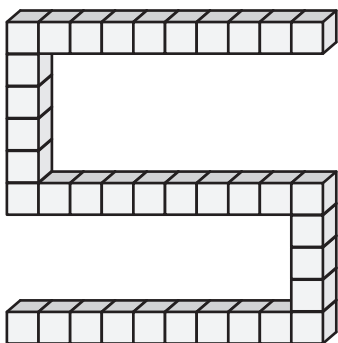
Volume = 26 in³

3)



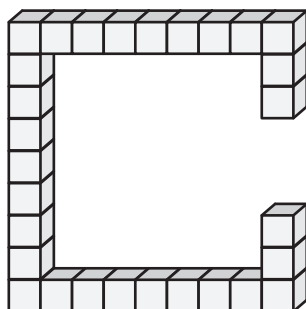
Volume = 16 in³

4)



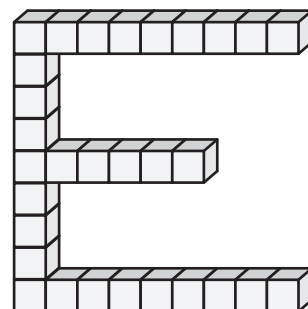
Volume = 37 in³

5)



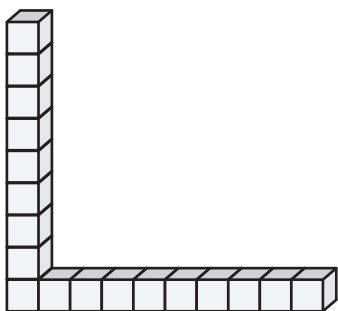
Volume = 29 in³

6)



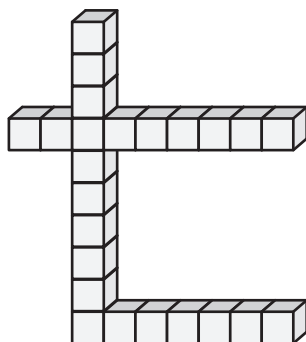
Volume = 30 in³

7)



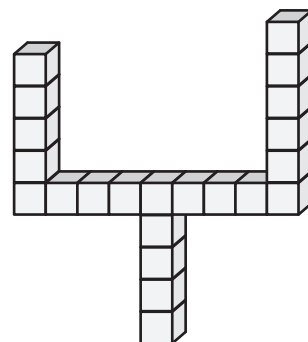
Volume = 18 in³

8)



Volume = 24 in³

9)



Volume = 22 in³