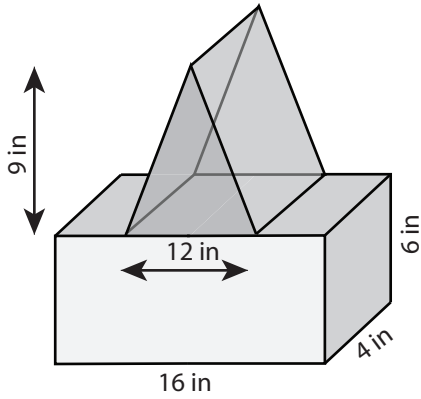


**Volume - Compound Shapes**

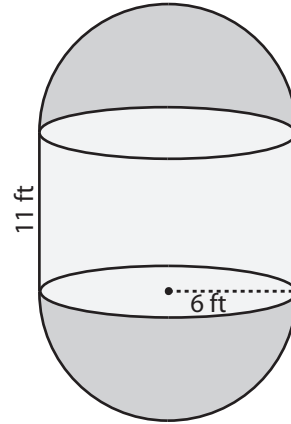
Find the volume of each figure. Round the answer to two decimal places. ( use  $\pi = 3.14$  )

1)



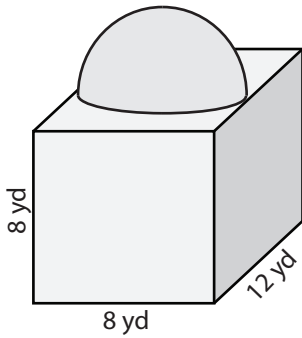
Volume = \_\_\_\_\_

2)



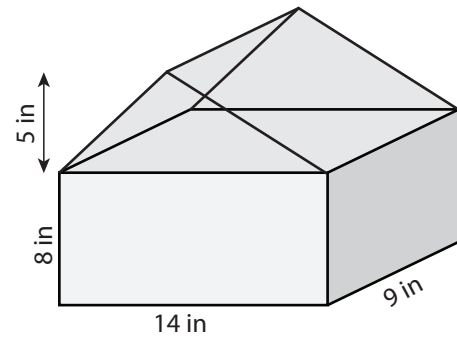
Volume = \_\_\_\_\_

3)



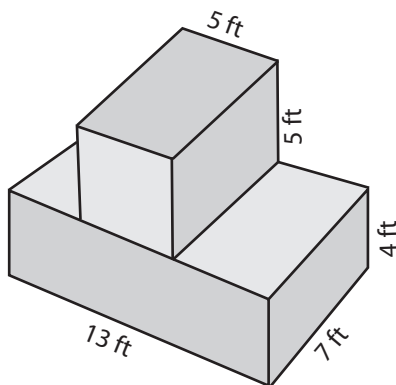
Volume = \_\_\_\_\_

4)



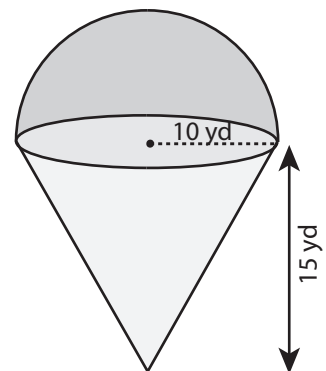
Volume = \_\_\_\_\_

5)



Volume = \_\_\_\_\_

6)



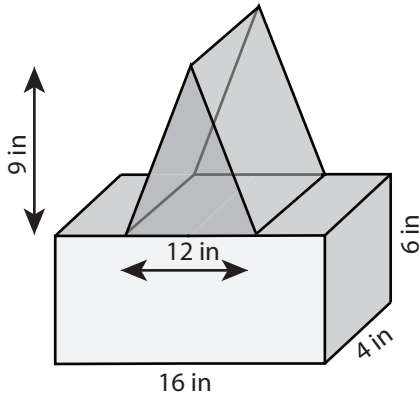
Volume = \_\_\_\_\_

**Answer Key****Volume - Compound Shapes**

Sheet 1

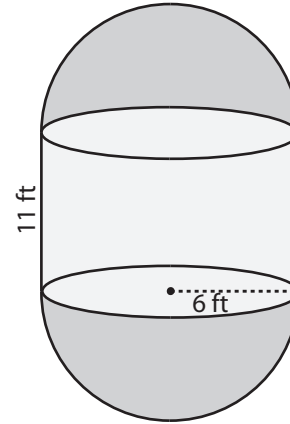
Find the volume of each figure. Round the answer to two decimal places. ( use  $\pi = 3.14$  )

1)



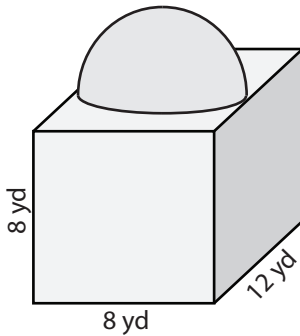
Volume = 600 in<sup>3</sup>

2)



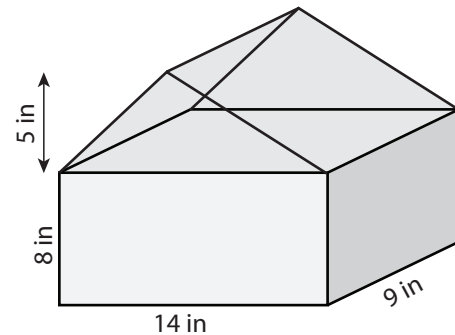
Volume = 2147.76 ft<sup>3</sup>

3)



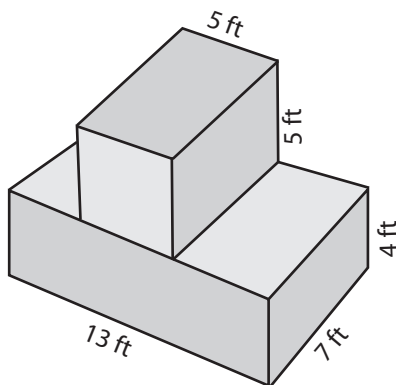
Volume = 901.97 yd<sup>3</sup>

4)



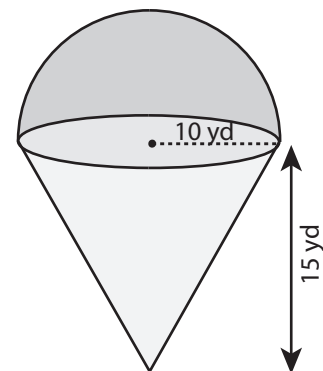
Volume = 1323 in<sup>3</sup>

5)



Volume = 539 ft<sup>3</sup>

6)



Volume = 3663.33 yd<sup>3</sup>