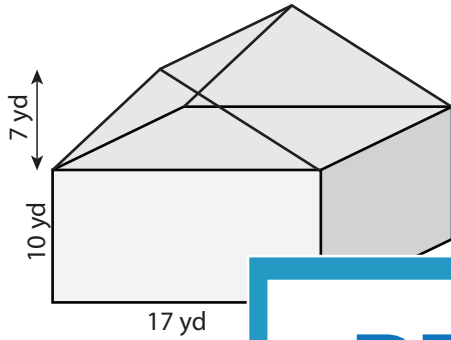


Volume - Compound Shapes

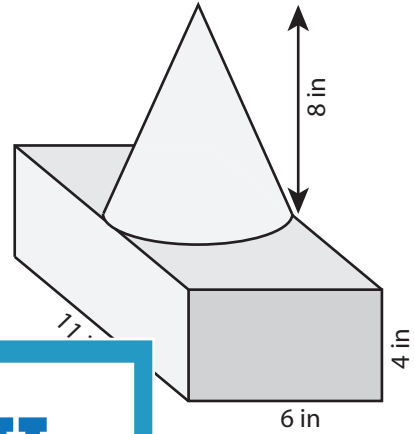
Find the volume of each figure. Round the answer to two decimal places. (use $\pi = 3.14$)

1)



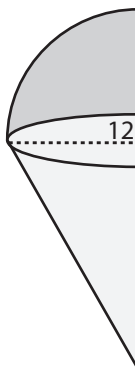
Volume = _____

2)

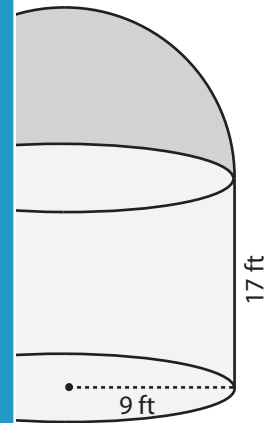


Volume = _____

3)

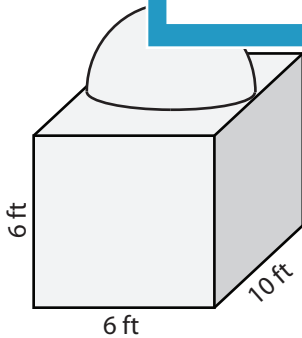


Volume = _____

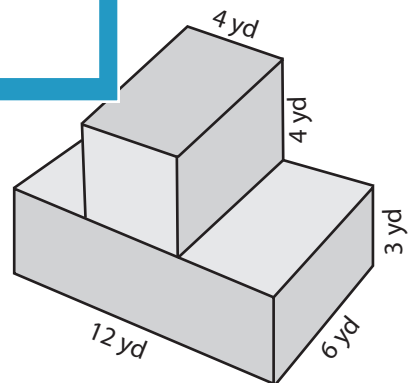


Volume = _____

5)



Volume = _____



Volume = _____

PREVIEW

Access the largest collection of
worksheets for just **\$19.95** per year!

Members, please
log in to
download this
worksheet.

Log in

Not a member?
Please sign up to
gain complete
access.

Sign up

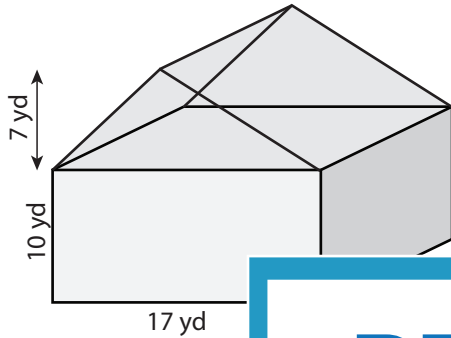
www.mathworksheets4kids.com

Answer Key

Volume - Compound Shapes

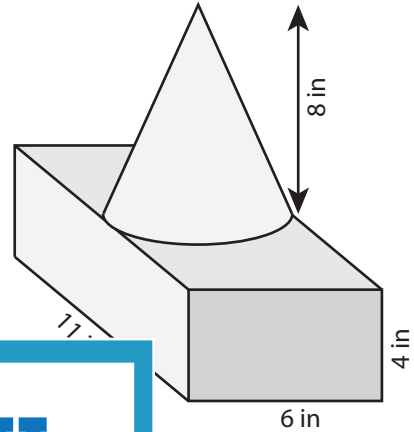
Find the volume of each figure. Round the answer to two decimal places. (use $\pi = 3.14$)

1)



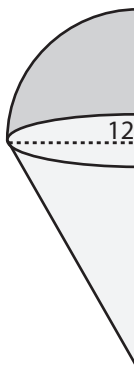
Volume = _____

2)

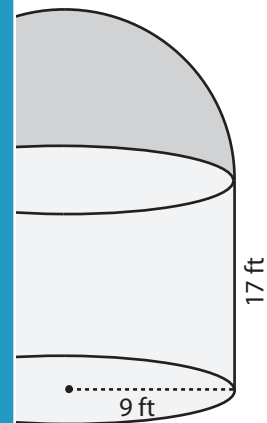


339.36 in³

3)

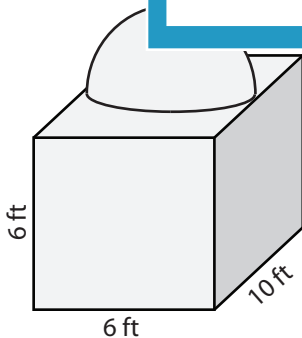


Volume = _____

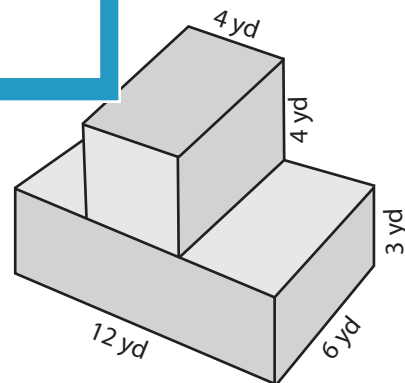


5849.82 ft³

5)



Volume = **416.52 ft³**



Volume = **312 yd³**

PREVIEW

Access the largest collection of worksheets for just **\$19.95** per year!

Members, please log in to download this worksheet.

Log in

Not a member? Please sign up to gain complete access.

Sign up

www.mathworksheets4kids.com