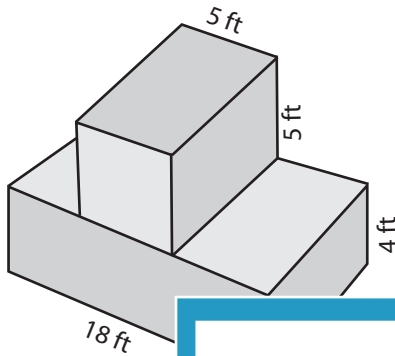


**Volume - Compound Shapes**

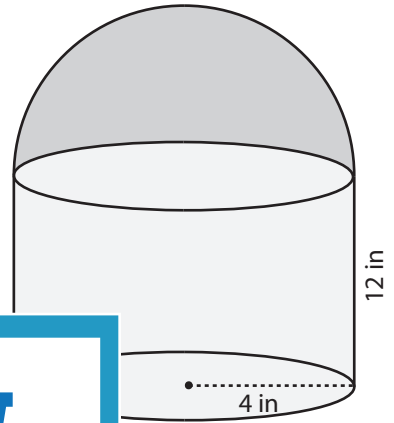
Find the volume of each figure. Round the answer to two decimal places. ( use  $\pi = 3.14$  )

1)



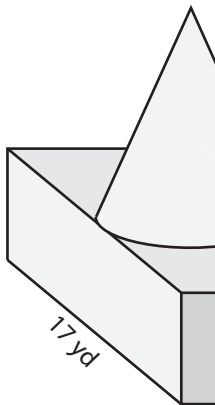
Volume = \_\_\_\_\_

2)

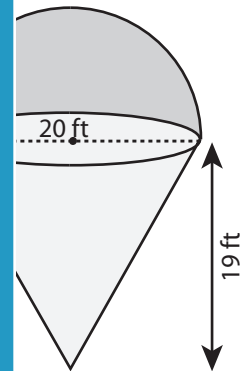


\_\_\_\_\_

3)

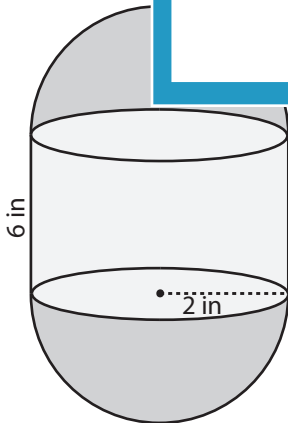


Volume = \_\_\_\_\_

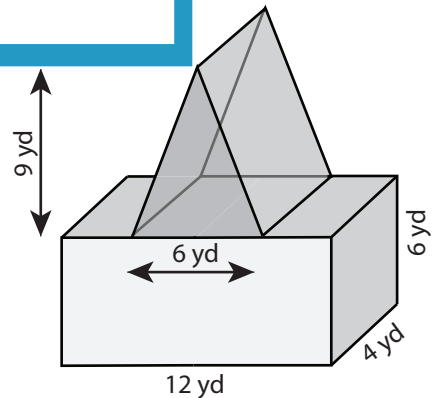


\_\_\_\_\_

5)



Volume = \_\_\_\_\_



Volume = \_\_\_\_\_

# PREVIEW

Access the largest collection of  
worksheets for just **\$19.95** per year!

Members, please  
log in to  
download this  
worksheet.

**Log in**

Not a member?  
Please sign up to  
gain complete  
access.

**Sign up**

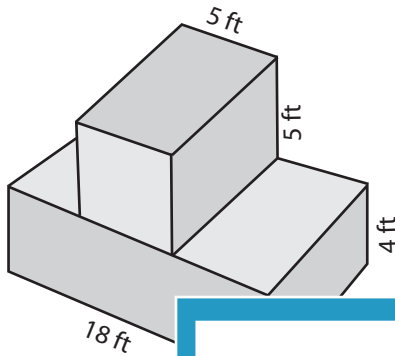
[www.mathworksheets4kids.com](http://www.mathworksheets4kids.com)

**Answer Key**

**Volume - Compound Shapes**

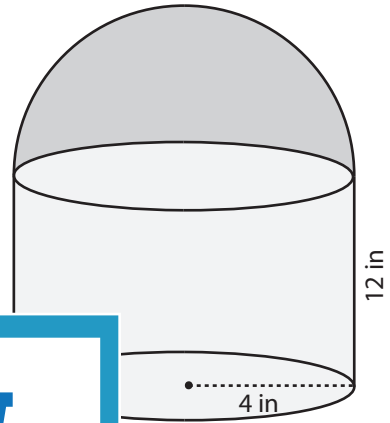
Find the volume of each figure. Round the answer to two decimal places. ( use  $\pi = 3.14$  )

1)



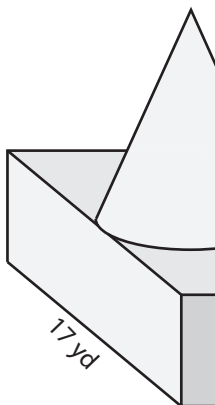
Volume = \_\_\_\_\_

2)

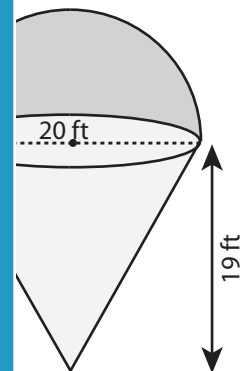


**736.85 in<sup>3</sup>**

3)

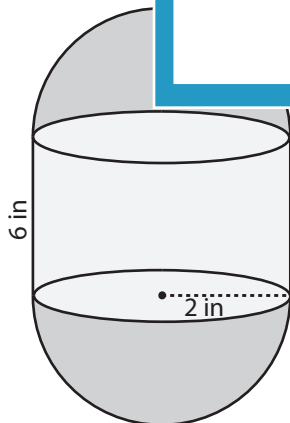


Volume = \_\_\_\_\_

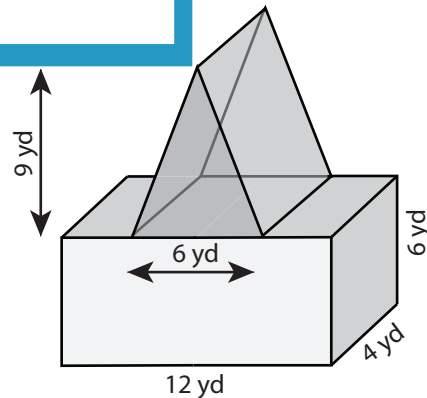


**4082 ft<sup>3</sup>**

5)



Volume = **108.85 in<sup>3</sup>**



Volume = **396 yd<sup>3</sup>**

**PREVIEW**

Access the largest collection of worksheets for just **\$19.95** per year!

Members, please log in to download this worksheet.

**Log in**

Not a member? Please sign up to gain complete access.

**Sign up**

[www.mathworksheets4kids.com](http://www.mathworksheets4kids.com)