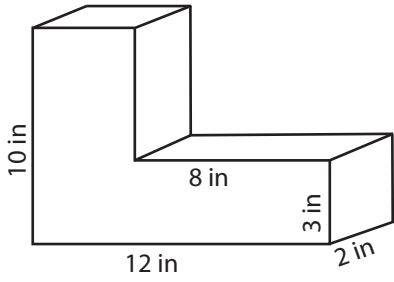


**Volume of L-Blocks**

ES1

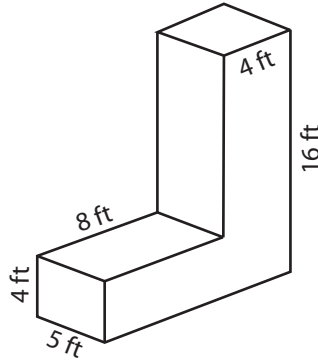
Find the volume of each L-block.

1)



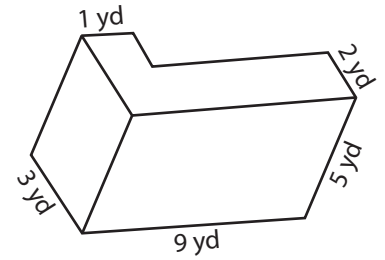
Volume = \_\_\_\_\_

2)



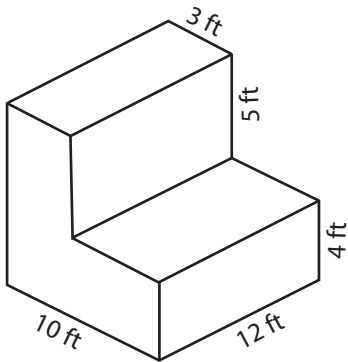
Volume = \_\_\_\_\_

3)



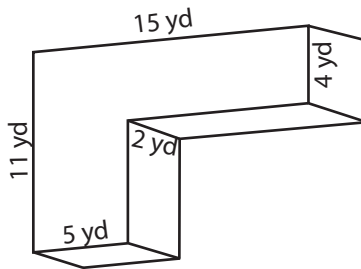
Volume = \_\_\_\_\_

4)



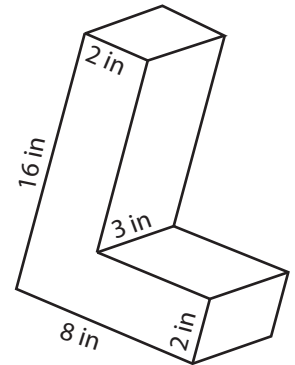
Volume = \_\_\_\_\_

5)



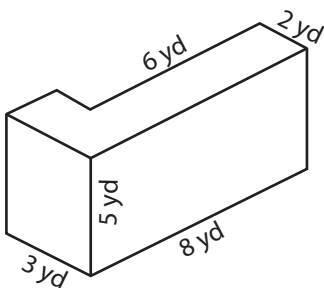
Volume = \_\_\_\_\_

6)



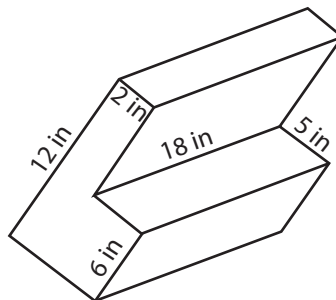
Volume = \_\_\_\_\_

7)



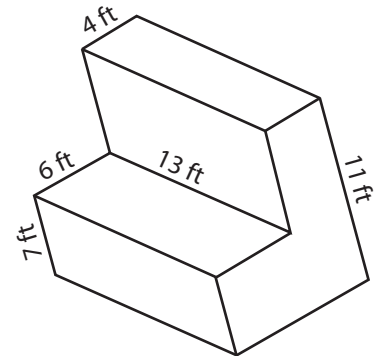
Volume = \_\_\_\_\_

8)



Volume = \_\_\_\_\_

9)



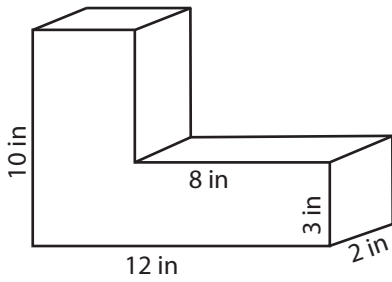
Volume = \_\_\_\_\_

**Answer Key****Volume of L-Blocks**

ES1

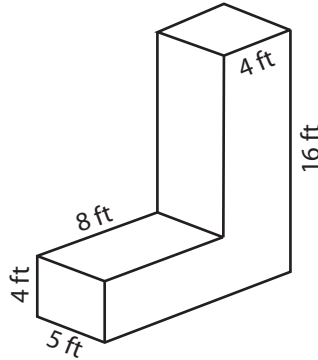
Find the volume of each L-block.

1)



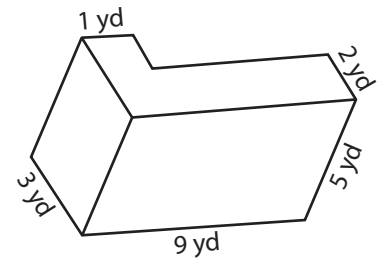
Volume = 128 in<sup>3</sup>

2)



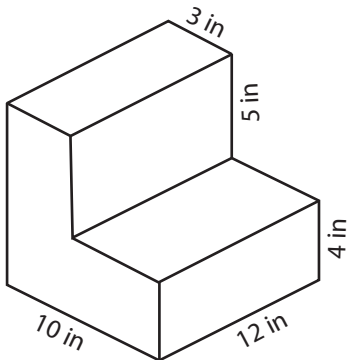
Volume = 480 ft<sup>3</sup>

3)



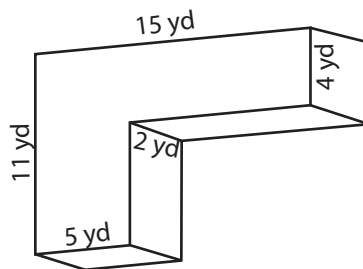
Volume = 95 yd<sup>3</sup>

4)



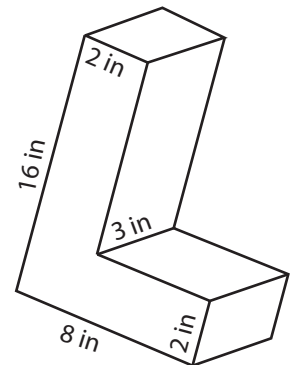
Volume = 660 in<sup>3</sup>

5)



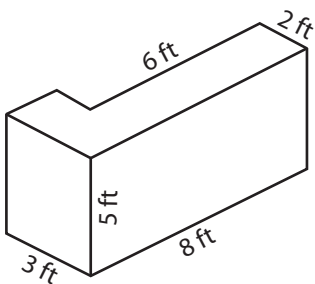
Volume = 190 yd<sup>3</sup>

6)



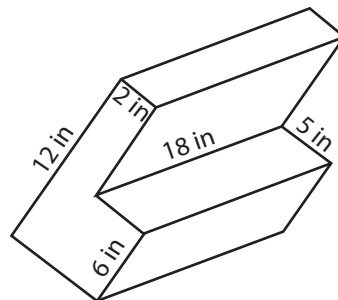
Volume = 132 in<sup>3</sup>

7)



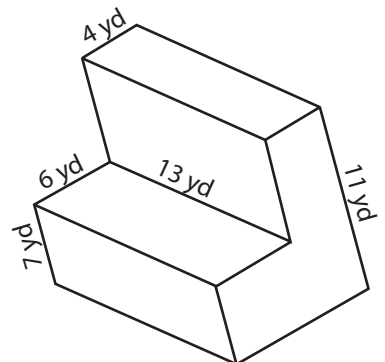
Volume = 90 ft<sup>3</sup>

8)



Volume = 972 in<sup>3</sup>

9)



Volume = 1118 yd<sup>3</sup>