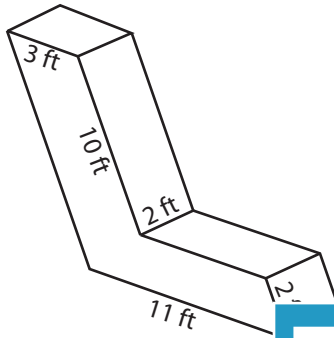


Volume of L-Blocks

ES2

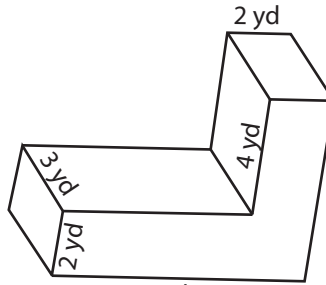
Find the volume of each L-block.

1)



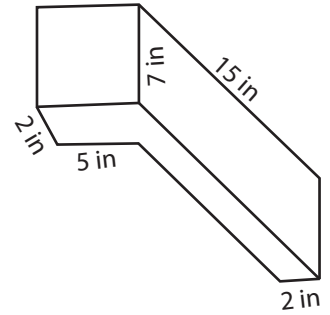
Volume = _____

2)

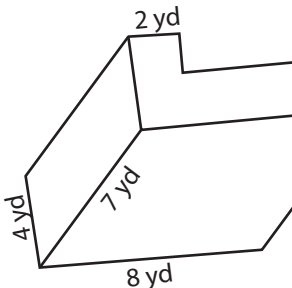


Volume = _____

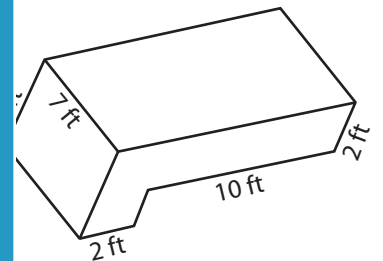
3)



4)

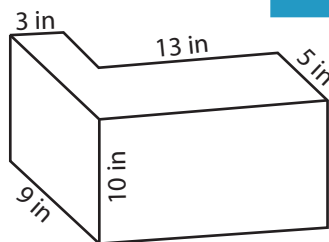


Volume = _____

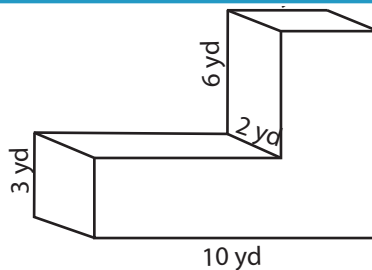


Volume = _____

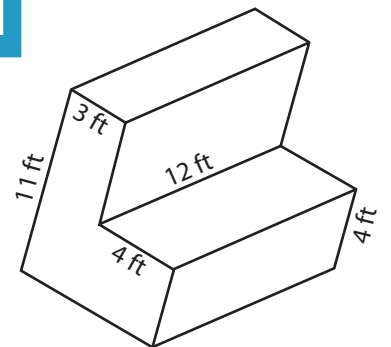
7)



Volume = _____



Volume = _____



Volume = _____

PREVIEW

Access the largest collection of worksheets for just **\$19.95** per year!

Members, please log in to download this worksheet.

Log in

Not a member? Please sign up to gain complete access.

Sign up

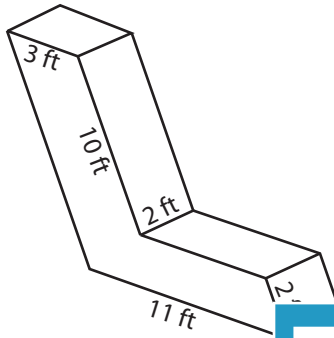
www.mathworksheets4kids.com

Answer Key**Volume of L-Blocks**

ES2

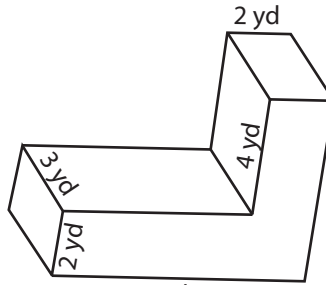
Find the volume of each L-block.

1)



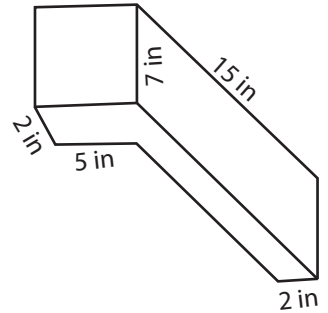
Volume = 104 ft³

2)



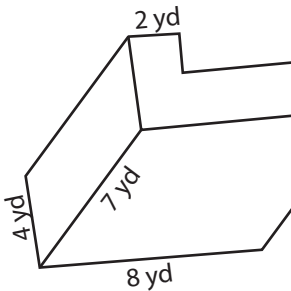
Volume = 104 ft³

3)



Volume = 280 in³

4)



Volume = 140 yd³

PREVIEW

Access the largest collection of worksheets for just **\$19.95** per year!

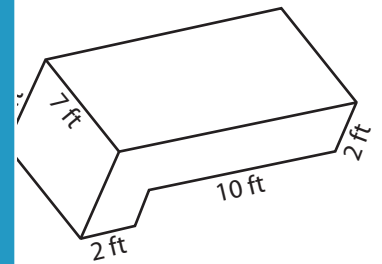
Members, please log in to download this worksheet.

Log in

Not a member? Please sign up to gain complete access.

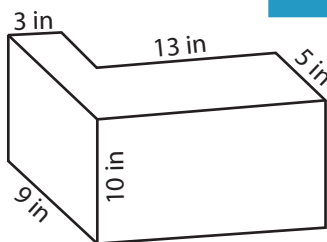
Sign up

www.mathworksheets4kids.com

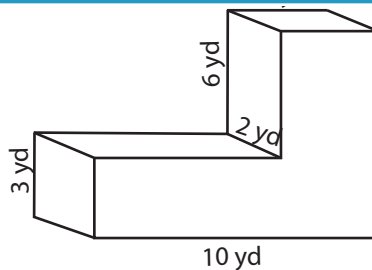


Volume = 196 ft³

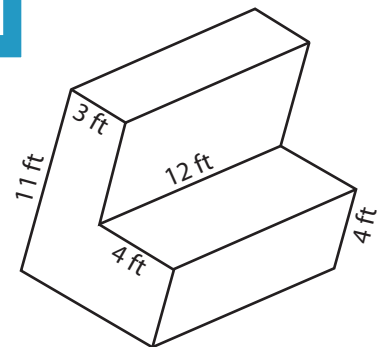
7)



Volume = 920 in³



Volume = 96 yd³



Volume = 588 ft³