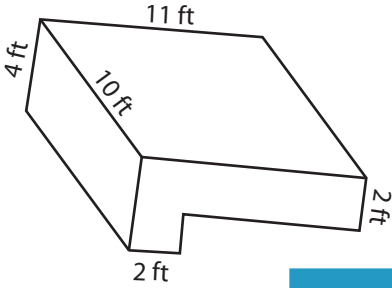


**Volume of L-Blocks**

ES3

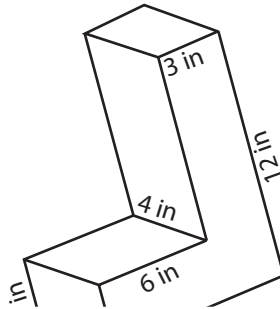
Find the volume of each L-block.

1)



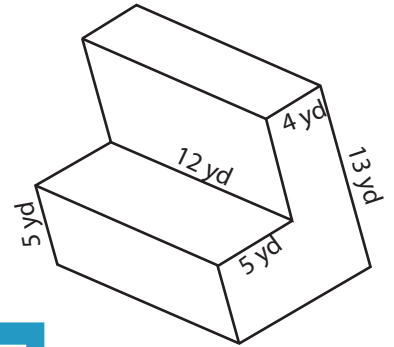
Volume = \_\_\_\_\_

2)



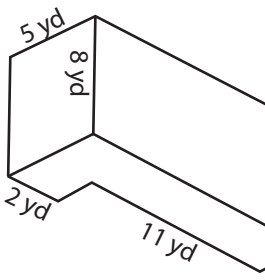
Volume = \_\_\_\_\_

3)

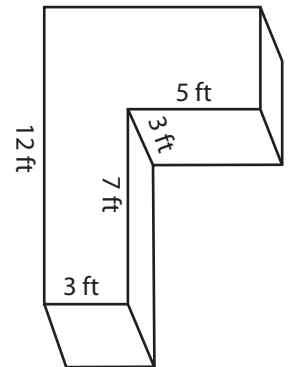


Volume = \_\_\_\_\_

4)

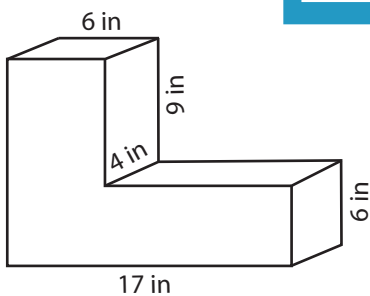


Volume = \_\_\_\_\_

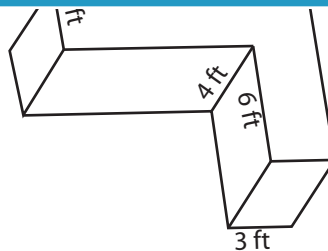


Volume = \_\_\_\_\_

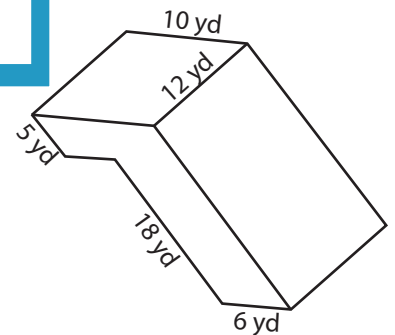
7)



Volume = \_\_\_\_\_



Volume = \_\_\_\_\_



Volume = \_\_\_\_\_

**PREVIEW**

Access the largest collection of  
worksheets for just **\$19.95** per year!

Members, please  
log in to  
download this  
worksheet.

Log in

Not a member?  
Please sign up to  
gain complete  
access.

Sign up

[www.mathworksheets4kids.com](http://www.mathworksheets4kids.com)

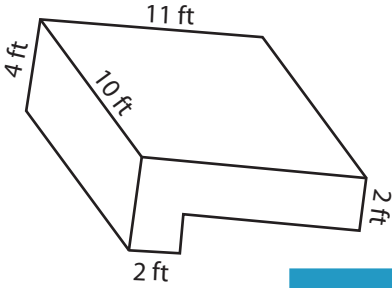
**Answer Key**

**Volume of L-Blocks**

ES3

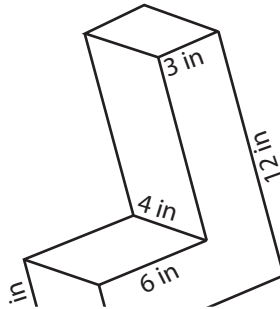
Find the volume of each L-block.

1)



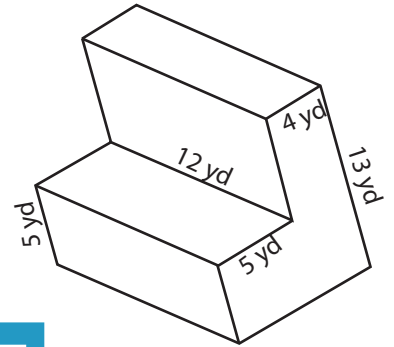
Volume = 260 ft<sup>3</sup>

2)



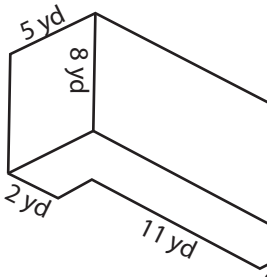
Volume = 924 yd<sup>3</sup>

3)

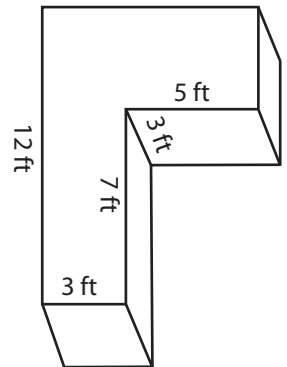


Volume = 924 yd<sup>3</sup>

4)

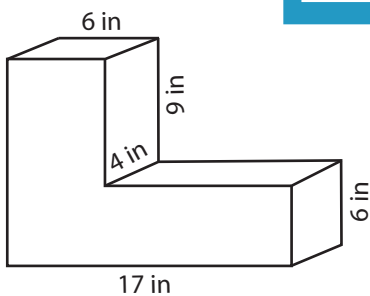


Volume = 256 yd<sup>3</sup>

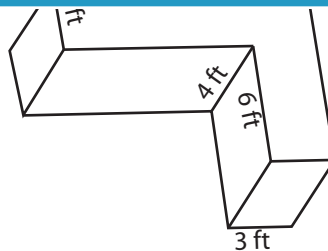


Volume = 183 ft<sup>3</sup>

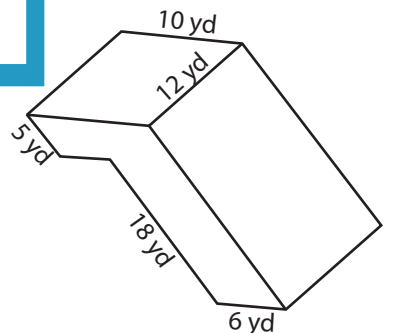
7)



Volume = 624 in<sup>3</sup>



Volume = 192 ft<sup>3</sup>



Volume = 1896 yd<sup>3</sup>

**PREVIEW**

Access the largest collection of worksheets for just **\$19.95** per year!

Members, please log in to download this worksheet.

Log in

Not a member? Please sign up to gain complete access.

Sign up

[www.mathworksheets4kids.com](http://www.mathworksheets4kids.com)