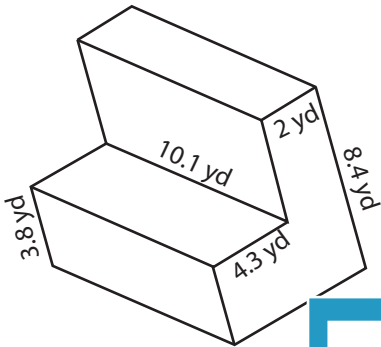


Volume of L-Blocks

DS3

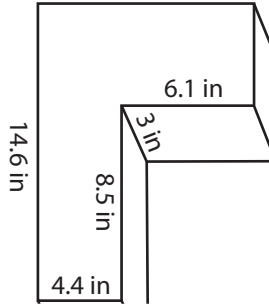
Find the volume of each L-block. Round the answer to two decimal places.

1)



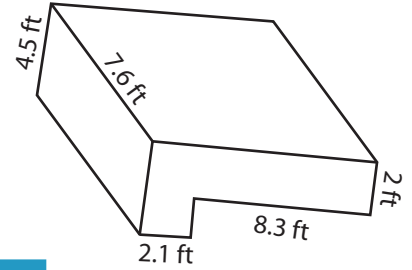
Volume = _____

2)



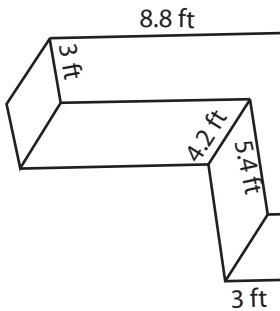
Volume = _____

3)

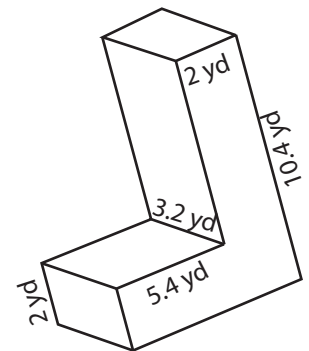


Volume = _____

4)

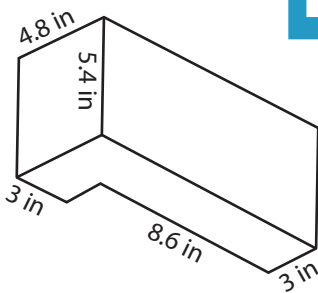


Volume = _____

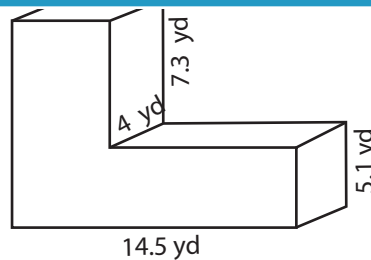


Volume = _____

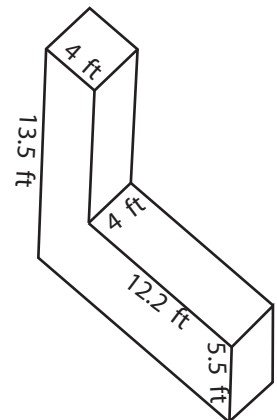
7)



Volume = _____



Volume = _____



Volume = _____

PREVIEW

Access the largest collection of worksheets for just **\$19.95** per year!

Members, please log in to download this worksheet.

Log in

Not a member? Please sign up to gain complete access.

Sign up

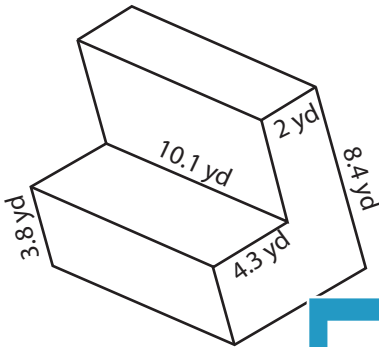
www.mathworksheets4kids.com

Answer Key**Volume of L-Blocks**

DS3

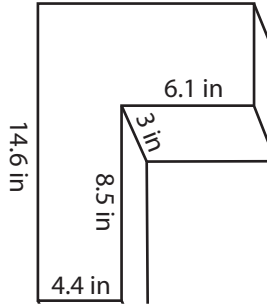
Find the volume of each L-block. Round the answer to two decimal places.

1)



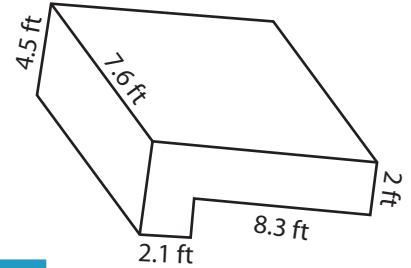
Volume = 334.71 yd³

2)

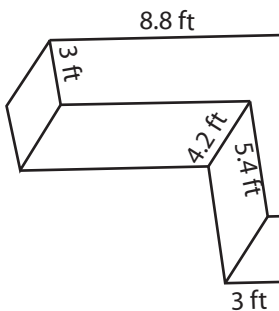


Volume = 197.98 ft³

3)



4)



Volume = 178.92 ft³

Access the largest collection of
worksheets for just **\$19.95** per year!

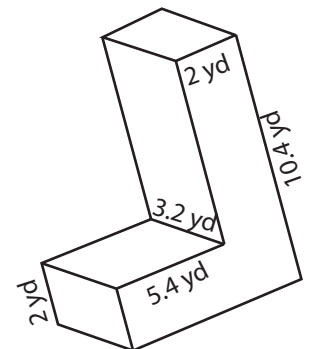
Members, please
log in to
download this
worksheet.

Log in

Not a member?
Please sign up to
gain complete
access.

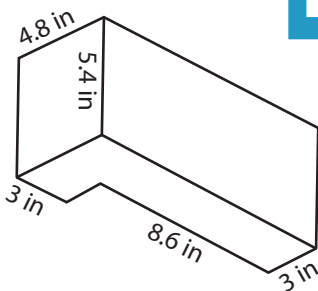
Sign up

www.mathworksheets4kids.com

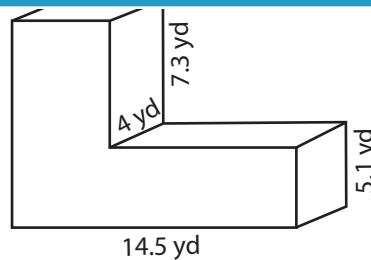


Volume = 101.12 yd³

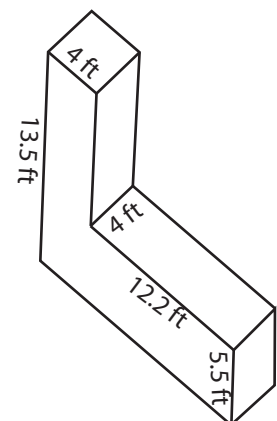
7)



Volume = 217.08 in³



Volume = 453.48 yd³



Volume = 484.4 ft³