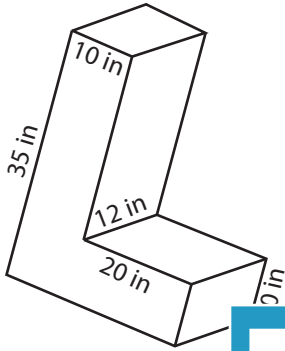


Volume of L-Blocks

MS1

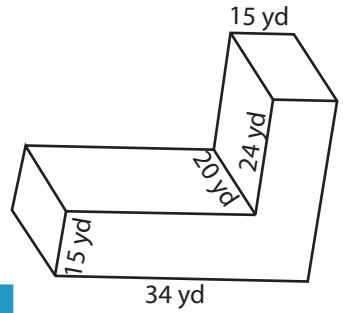
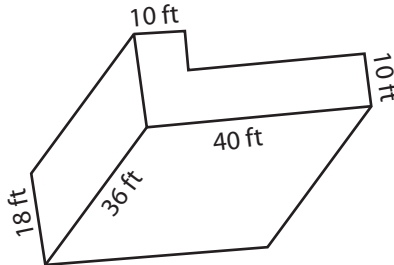
Find the volume of each L-block.

1)



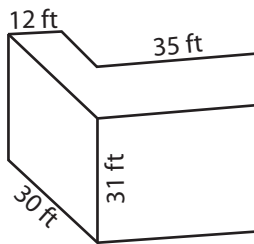
Volume = _____

2)

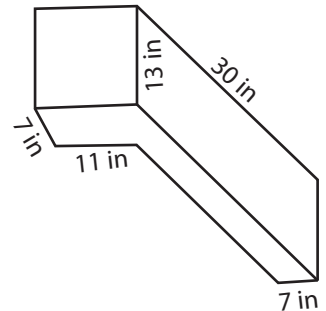


Volume = _____

4)

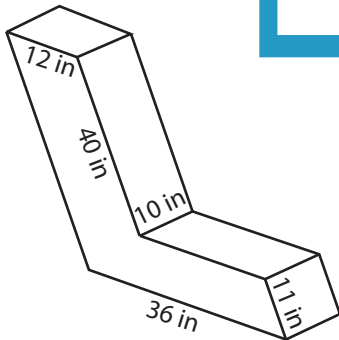


Volume = _____

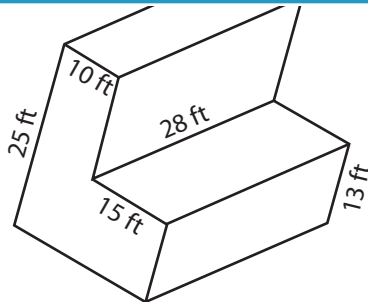


Volume = _____

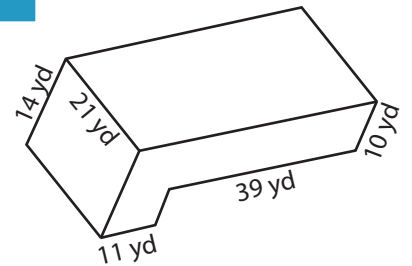
7)



Volume = _____



Volume = _____



Volume = _____

PREVIEW

Access the largest collection of worksheets for just **\$19.95** per year!

Members, please log in to download this worksheet.

Log in

Not a member? Please sign up to gain complete access.

Sign up

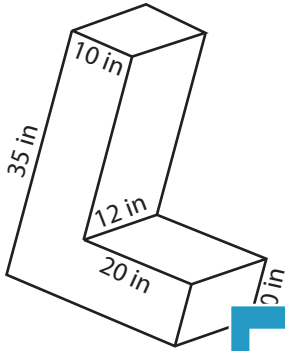
www.mathworksheets4kids.com

Answer Key**Volume of L-Blocks**

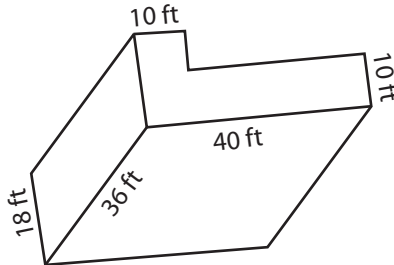
MS1

Find the volume of each L-block.

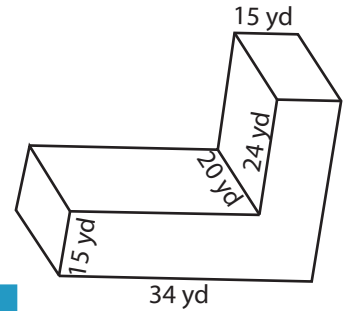
1)

Volume = 6600 in³

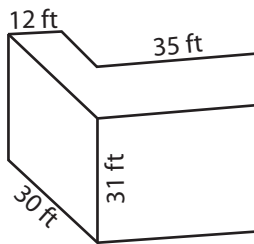
2)

Volume = 6600 in³

3)

Volume = 17400 yd³

4)

Volume = 26350 ft³

Access the largest collection of
worksheets for just **\$19.95** per year!

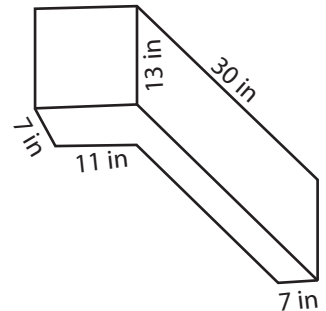
Members, please
log in to
download this
worksheet.

Log in

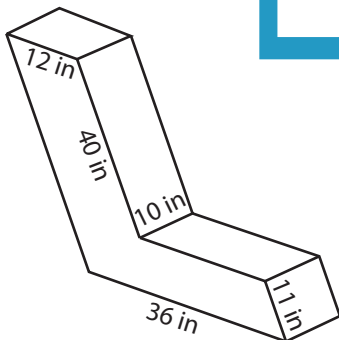
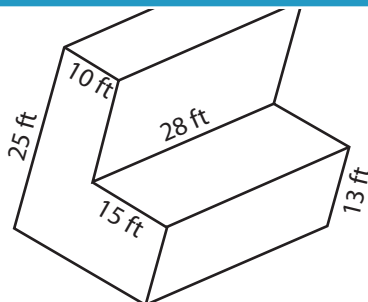
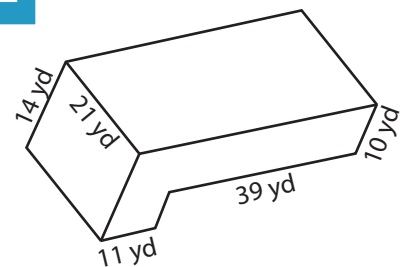
Not a member?
Please sign up to
gain complete
access.

Sign up

www.mathworksheets4kids.com

Volume = 3731 in³

7)

Volume = 8760 in³Volume = 12460 ft³Volume = 11424 yd³