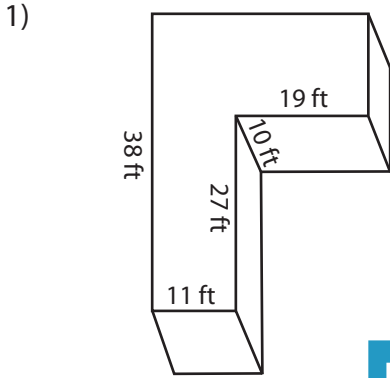


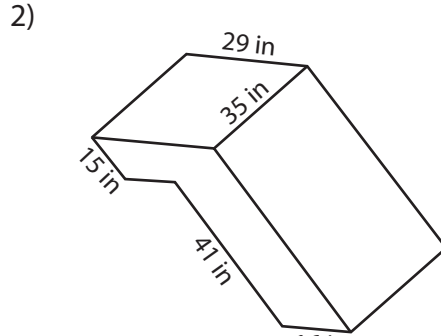
Volume of L-Blocks

MS2

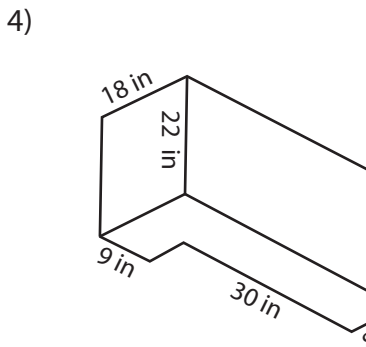
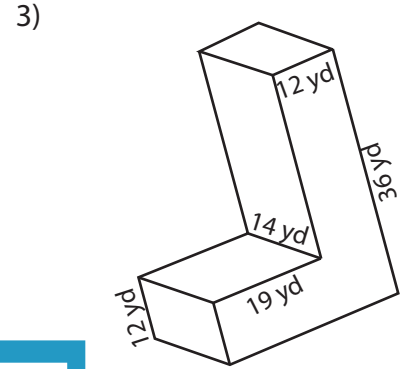
Find the volume of each L-block.



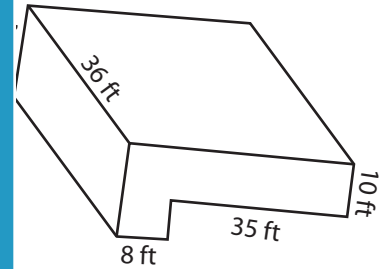
Volume = _____



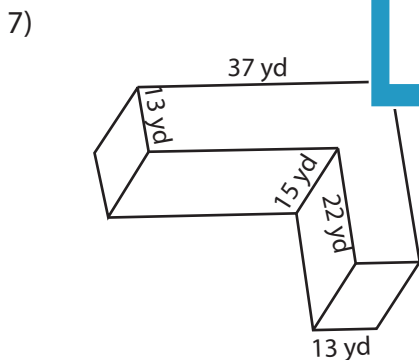
Volume = _____



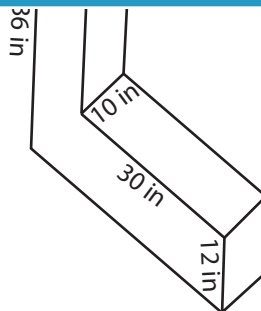
Volume = _____



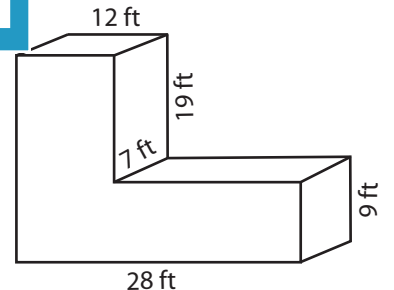
Volume = _____



Volume = _____



Volume = _____



Volume = _____

PREVIEW

Access the largest collection of
worksheets for just **\$19.95** per year!

Members, please
log in to
download this
worksheet.

Log in

Not a member?
Please sign up to
gain complete
access.

Sign up

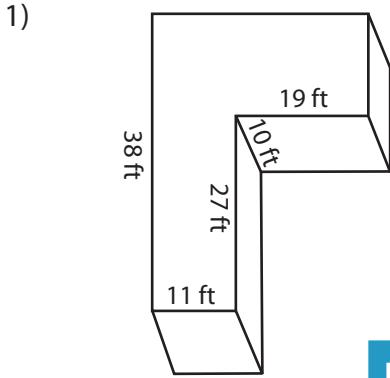
www.mathworksheets4kids.com

Answer Key

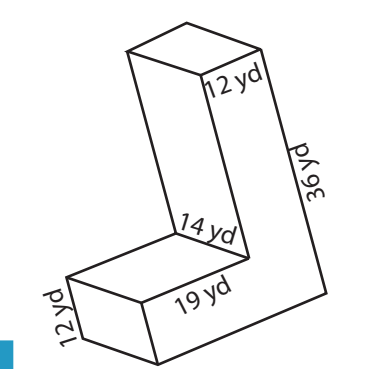
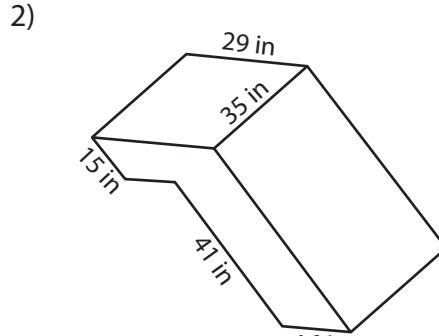
Volume of L-Blocks

MS2

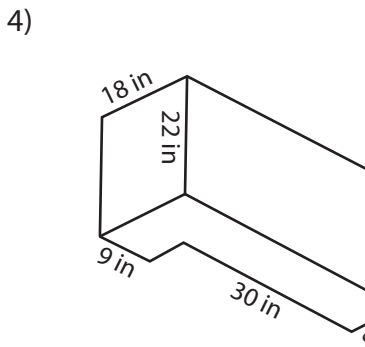
Find the volume of each L-block.



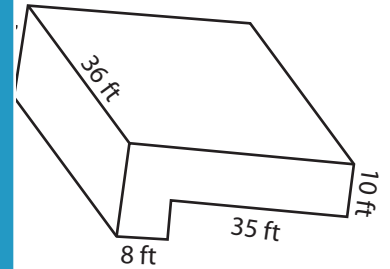
Volume = 6270 ft³



Volume = 9240 yd³



Volume = 8844 in³



Volume = 20088 ft³

PREVIEW

Access the largest collection of
worksheets for just **\$19.95** per year!

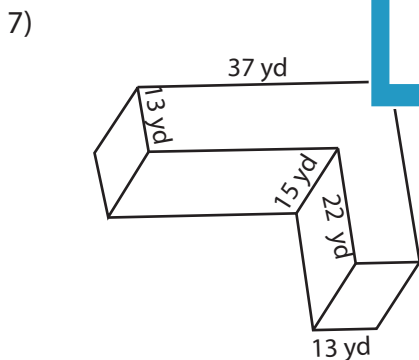
Members, please
log in to
download this
worksheet.

Log in

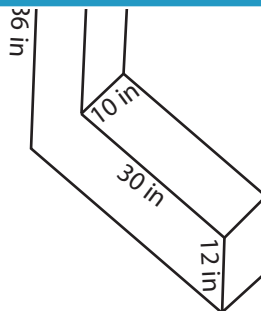
Not a member?
Please sign up to
gain complete
access.

Sign up

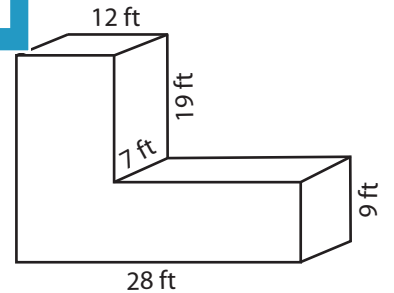
www.mathworksheets4kids.com



Volume = 11505 yd³



Volume = 7560 in³



Volume = 3360 ft³