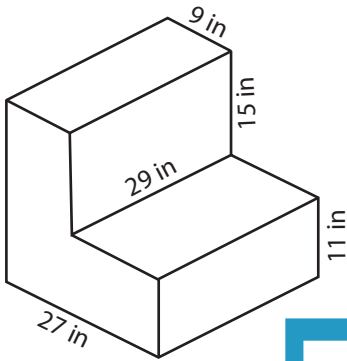


Volume of L-Blocks

MS3

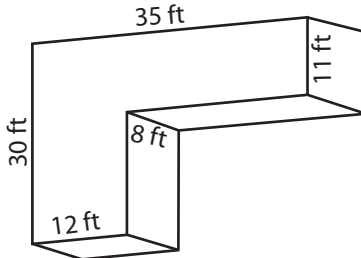
Find the volume of each L-block.

1)



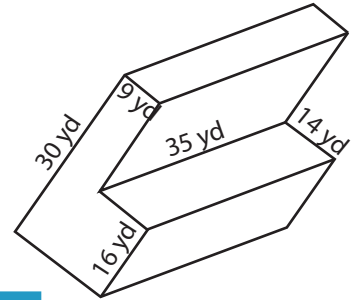
Volume = _____

2)

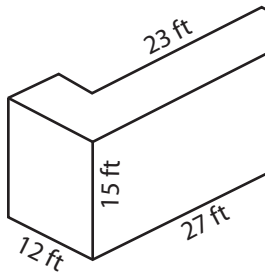


Volume = _____

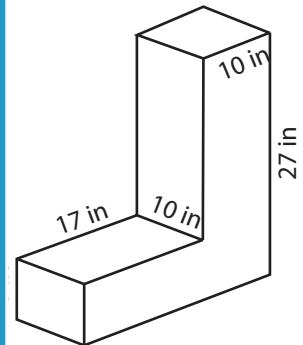
3)



4)

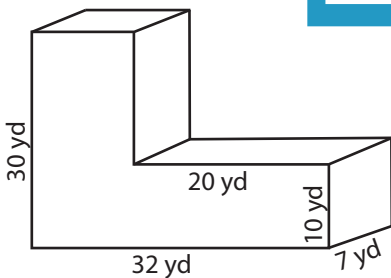


Volume = _____

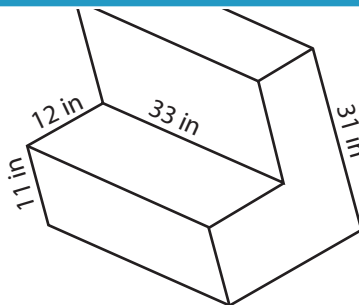


Volume = _____

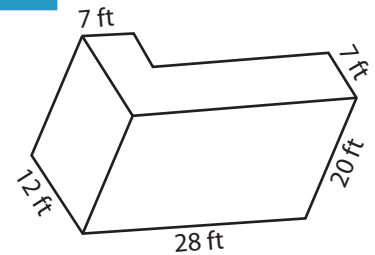
7)



Volume = _____



Volume = _____



Volume = _____

PREVIEW

Access the largest collection of worksheets for just **\$19.95** per year!

Members, please log in to download this worksheet.

Log in

Not a member? Please sign up to gain complete access.

Sign up

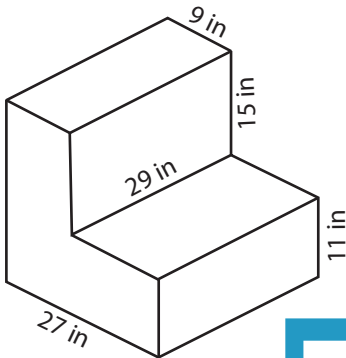
www.mathworksheets4kids.com

Answer Key**Volume of L-Blocks**

MS3

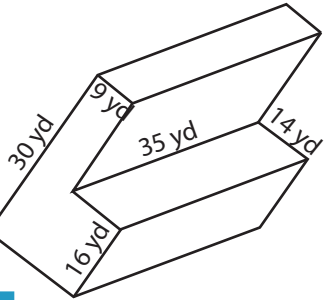
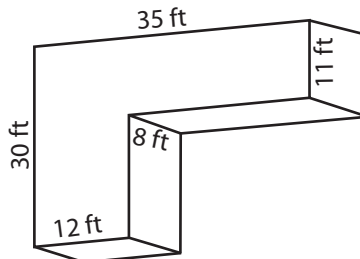
Find the volume of each L-block.

1)



Volume = 12528 in³

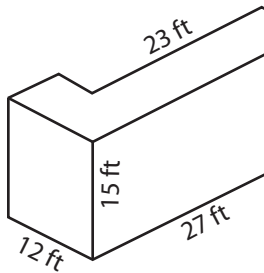
2)



3)

Volume = 17290 yd³

4)



Volume = 2445 ft³

Access the largest collection of
worksheets for just **\$19.95** per year!

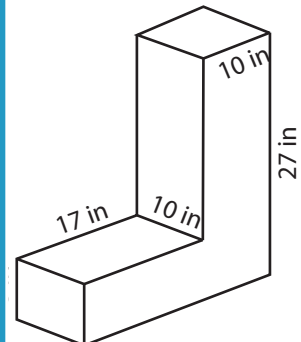
Members, please
log in to
download this
worksheet.

Log in

Not a member?
Please sign up to
gain complete
access.

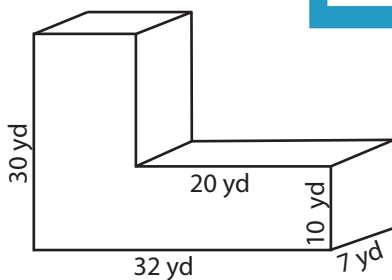
Sign up

www.mathworksheets4kids.com

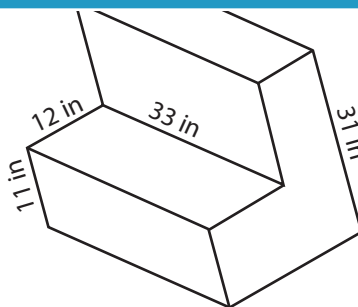


Volume = 4060 in³

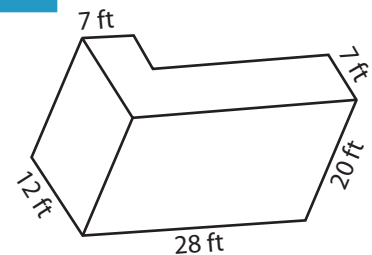
7)



Volume = 3920 yd³



Volume = 12540 in³



Volume = 4620 ft³