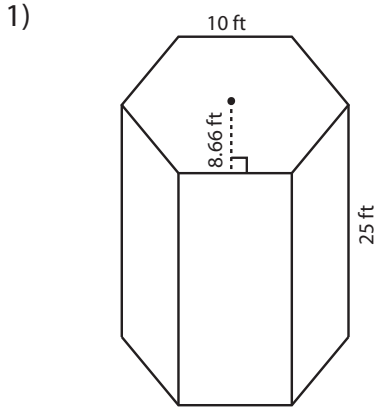
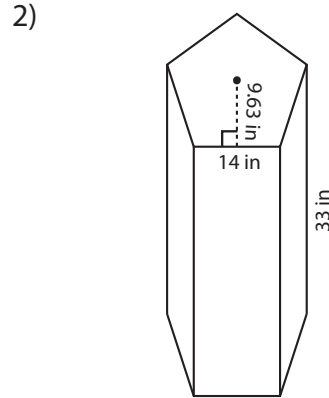


Volume of Polygonal Prism

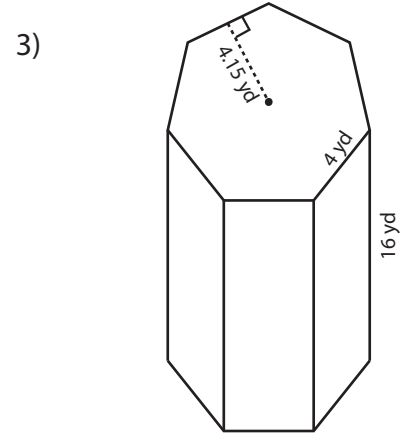
Find the volume of each polygonal prism.



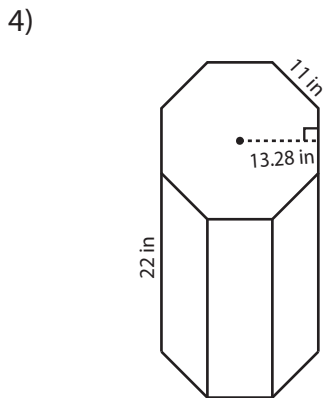
Volume = _____



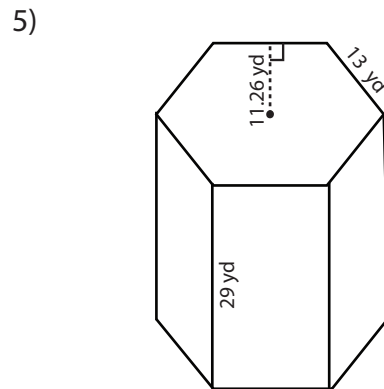
Volume = _____



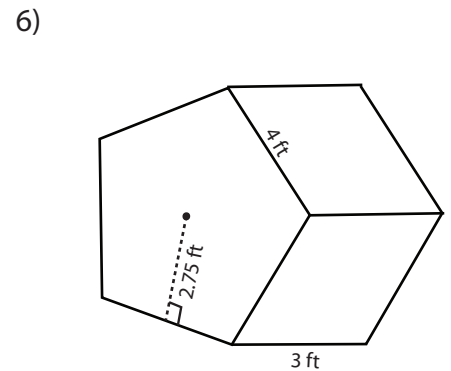
Volume = _____



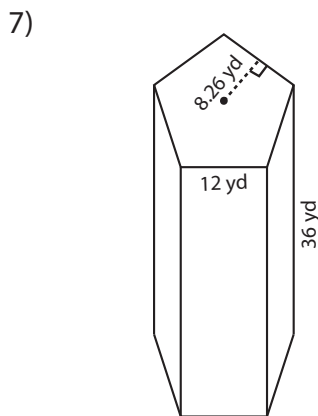
Volume = _____



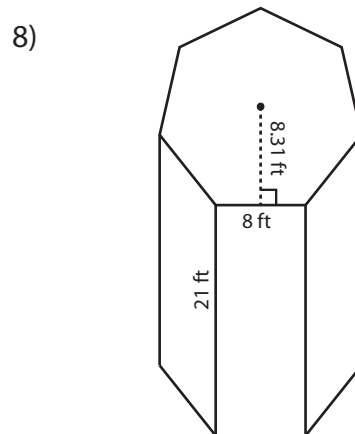
Volume = _____



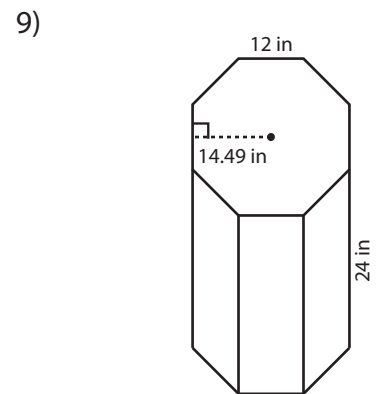
Volume = _____



Volume = _____



Volume = _____



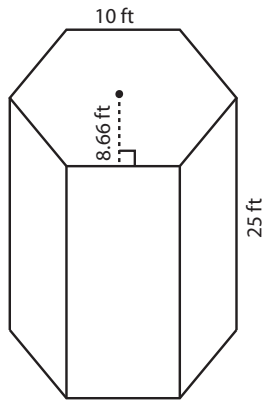
Volume = _____

Answer Key**Volume of Polygonal Prism**

Sheet 1

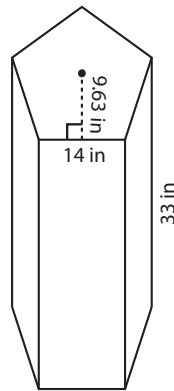
Find the volume of each polygonal prism.

1)



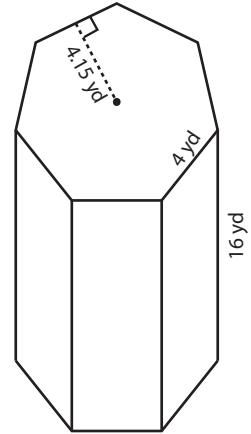
Volume = 6495 ft³

2)



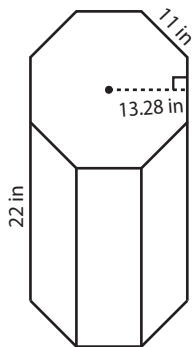
Volume = 11122.65 in³

3)



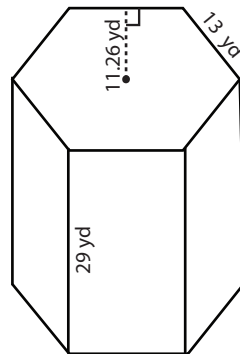
Volume = 929.6 yd³

4)



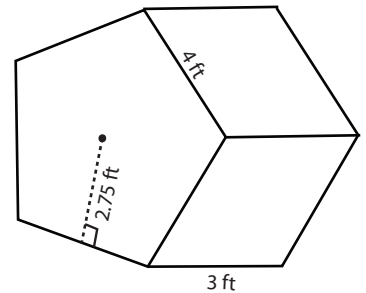
Volume = 12855.04 in³

5)



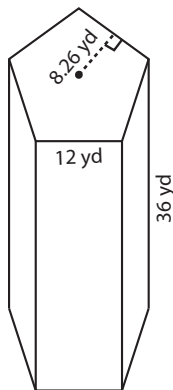
Volume = 12735.06 yd³

6)



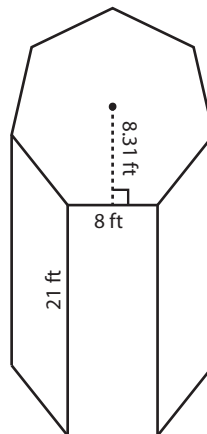
Volume = 82.5 ft³

7)



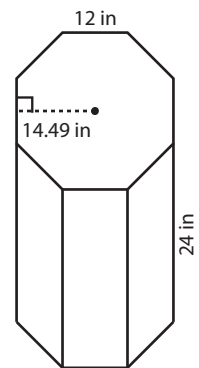
Volume = 8920.8 yd³

8)



Volume = 4886.28 ft³

9)



Volume = 16692.48 in³