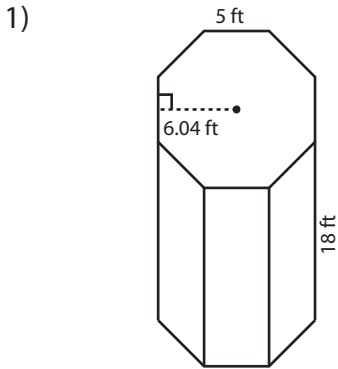
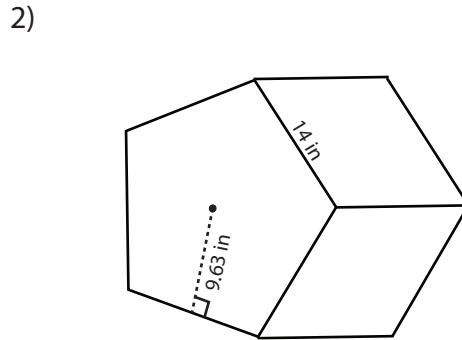


Volume of Polygonal Prism

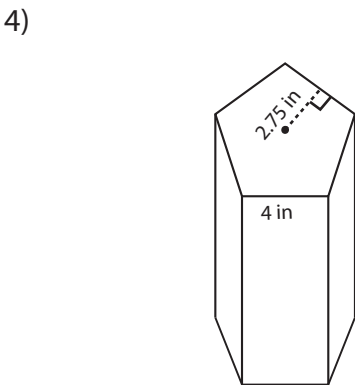
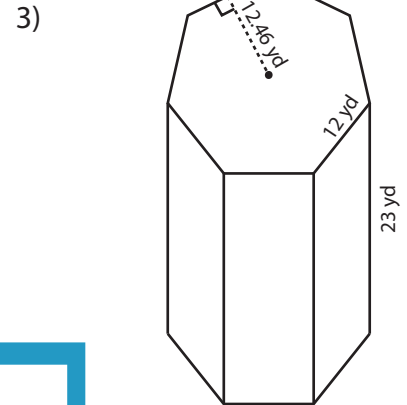
Find the volume of each polygonal prism.



Volume = _____



Volume = _____



Volume = _____

PREVIEW

Access the largest collection of
worksheets for just **\$19.95** per year!

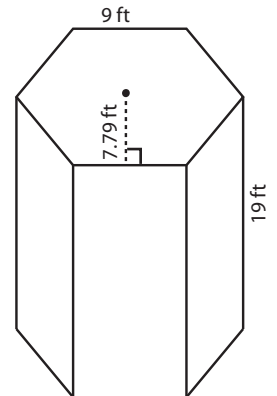
Members, please
log in to
download this
worksheet.

Log in

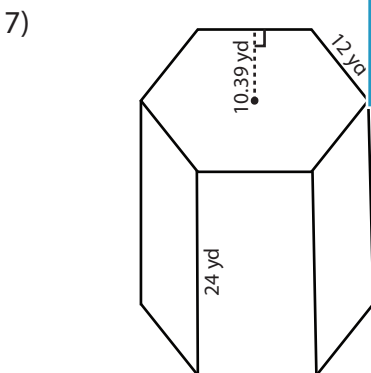
Not a member?
Please sign up to
gain complete
access.

Sign up

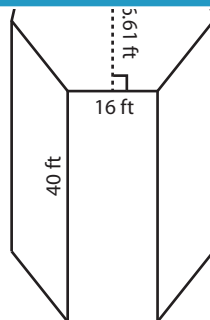
www.mathworksheets4kids.com



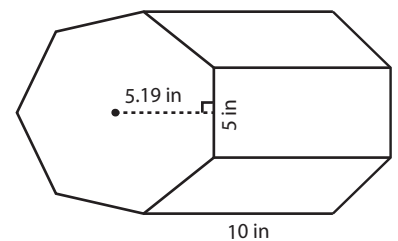
Volume = _____



Volume = _____



Volume = _____

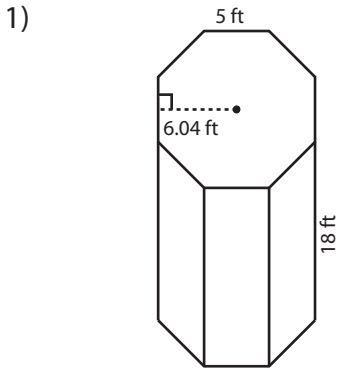


Volume = _____

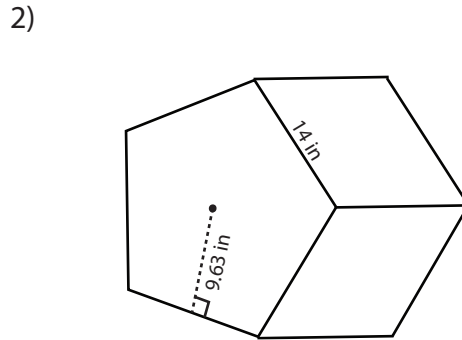
Answer Key

Volume of Polygonal Prism

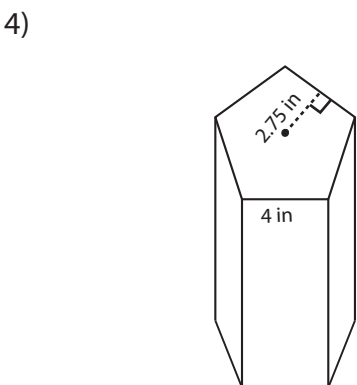
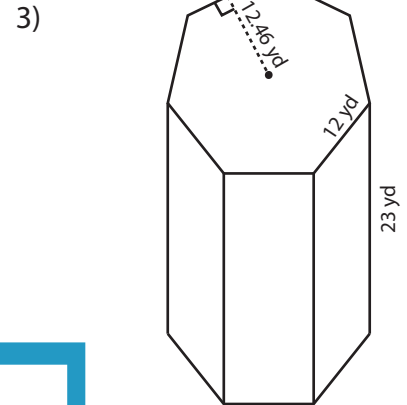
Find the volume of each polygonal prism.



Volume = 2174.4 ft³



Volume = 12036.36 yd³



Volume = 770 in³

PREVIEW

Access the largest collection of
worksheets for just **\$19.95** per year!

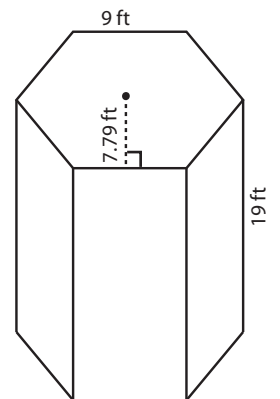
Members, please
log in to
download this
worksheet.

Log in

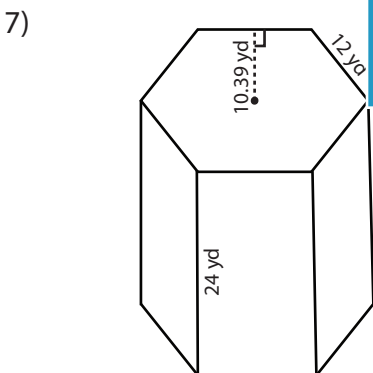
Not a member?
Please sign up to
gain complete
access.

Sign up

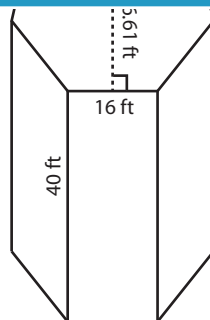
www.mathworksheets4kids.com



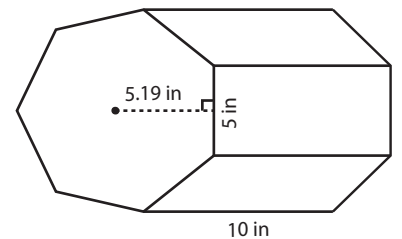
Volume = 3996.27 ft³



Volume = 8976.96 yd³



Volume = 37206.4 ft³



Volume = 908.25 in³