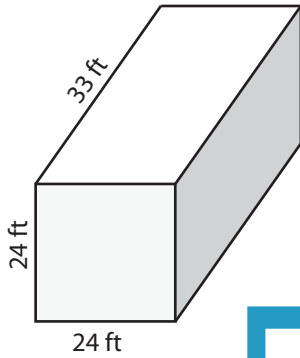


Volume: Prisms & Cylinders

L1MS2

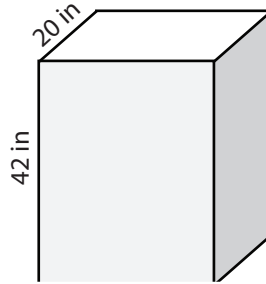
Find the volume of each shape. (use $\pi = 3.14$)

1)



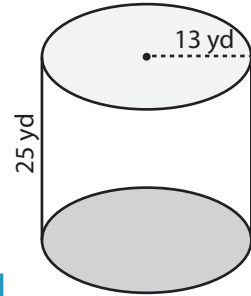
Volume = _____

2)

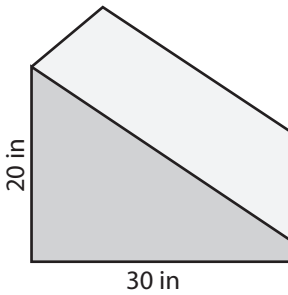


Volume = _____

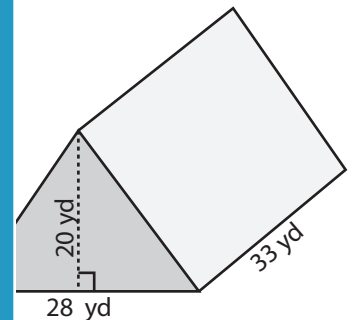
3)



4)

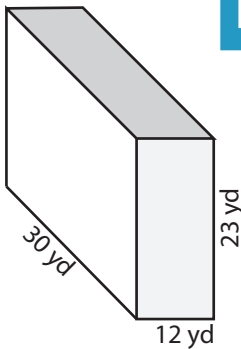


Volume = _____

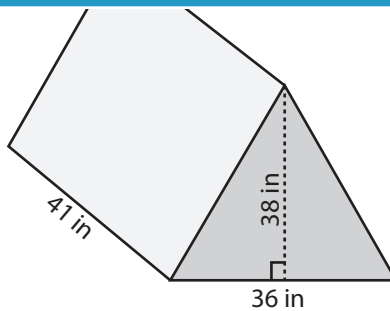


Volume = _____

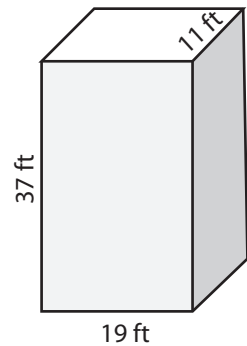
7)



Volume = _____



Volume = _____



Volume = _____

PREVIEW

Access the largest collection of
worksheets for just **\$19.95** per year!

Members, please
log in to
download this
worksheet.

Log in

Not a member?
Please sign up to
gain complete
access.

Sign up

www.mathworksheets4kids.com

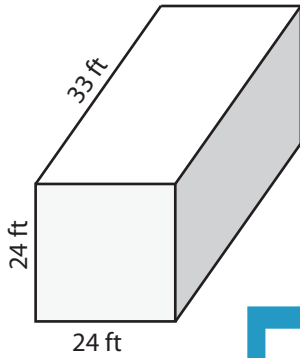
Answer Key

Volume: Prisms & Cylinders

L1MS2

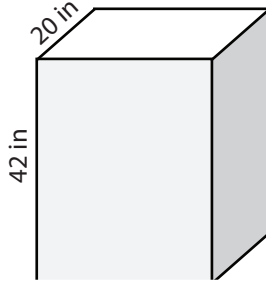
Find the volume of each shape. (use $\pi = 3.14$)

1)



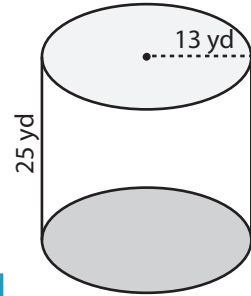
Volume = 19008 ft³

2)

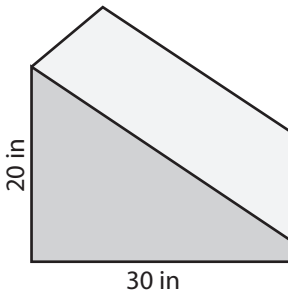


Volume = 13266.5 yd³

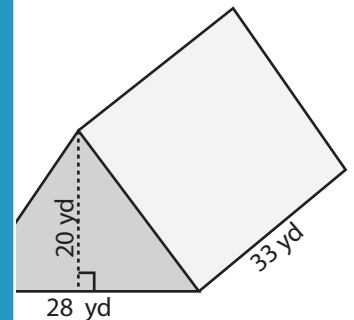
3)



4)

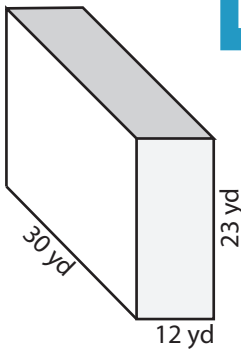


Volume = 4200 in³

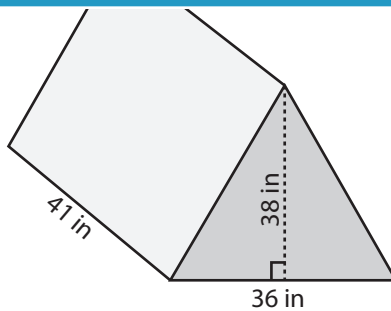


Volume = 9240 yd³

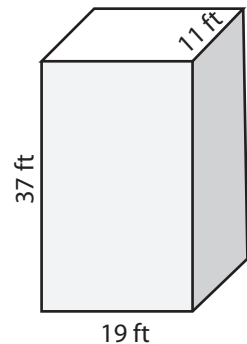
7)



Volume = 8280 yd³



Volume = 28044 in³



Volume = 7733 ft³

PREVIEW

Access the largest collection of
worksheets for just **\$19.95** per year!

Members, please
log in to
download this
worksheet.

Log in

Not a member?
Please sign up to
gain complete
access.

Sign up

www.mathworksheets4kids.com