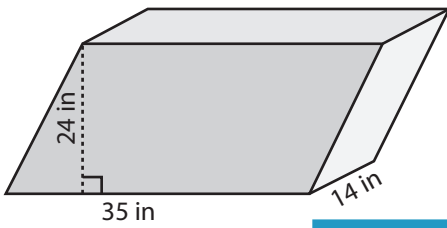


**Volume: Prisms & Cylinders**

L2MS2

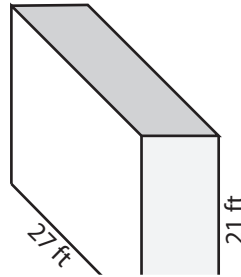
Find the volume of each shape. (use  $\pi = 3.14$ )

1)



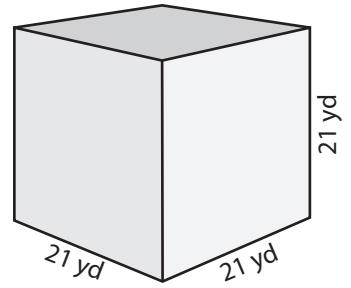
Volume = \_\_\_\_\_

2)

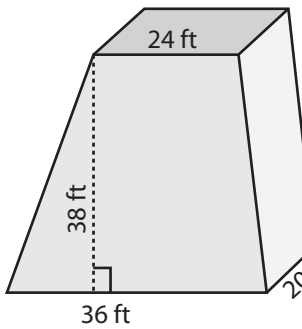


Volume = \_\_\_\_\_

3)



4)



Volume = \_\_\_\_\_

Access the largest collection of worksheets for just **\$19.95** per year!

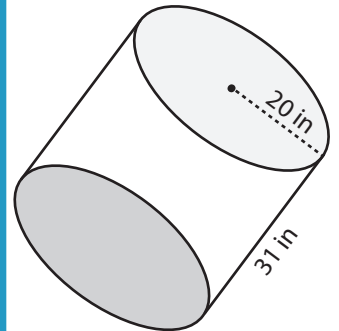
Members, please log in to download this worksheet.

**Log in**

Not a member? Please sign up to gain complete access.

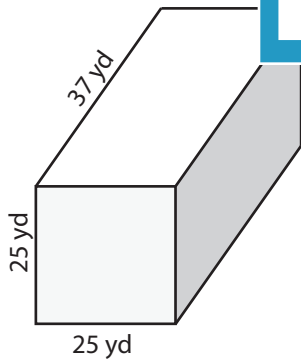
**Sign up**

[www.mathworksheets4kids.com](http://www.mathworksheets4kids.com)

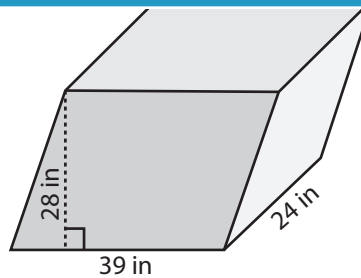


Volume = \_\_\_\_\_

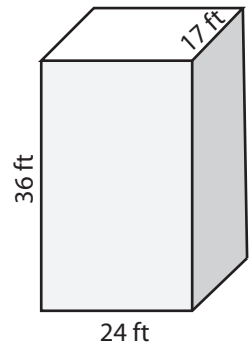
7)



Volume = \_\_\_\_\_



Volume = \_\_\_\_\_



Volume = \_\_\_\_\_

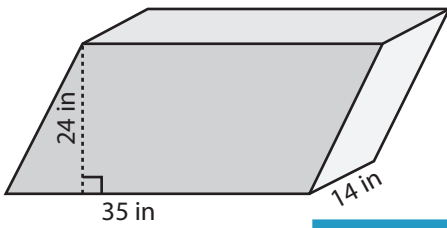
**Answer Key**

**Volume: Prisms & Cylinders**

L2MS2

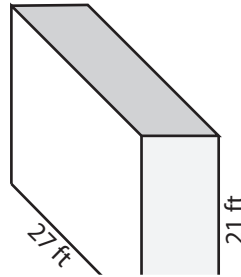
Find the volume of each shape. (use  $\pi = 3.14$ )

1)



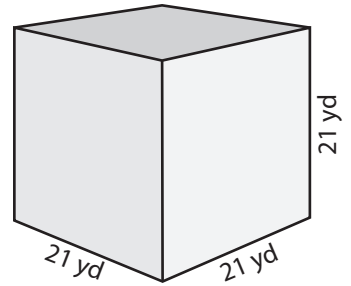
Volume = 11760 in<sup>3</sup>

2)

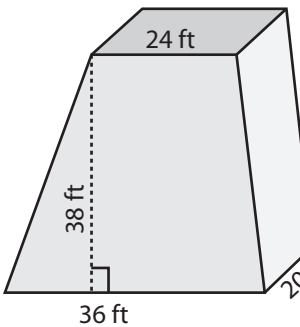


Volume = 9261 yd<sup>3</sup>

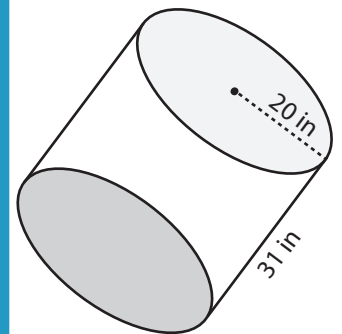
3)



4)

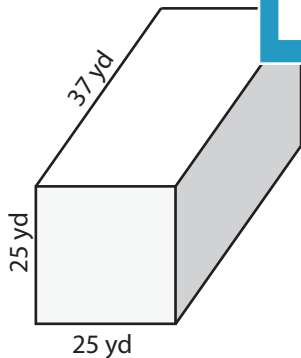


Volume = 22800 ft<sup>3</sup>

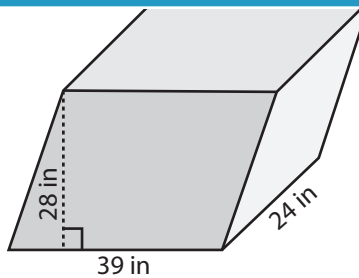


Volume = 38936 in<sup>3</sup>

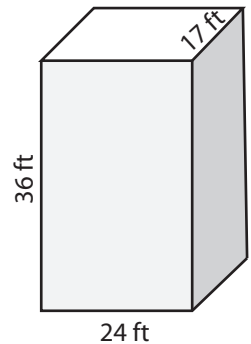
7)



Volume = 23125 yd<sup>3</sup>



Volume = 26208 in<sup>3</sup>



Volume = 14688 ft<sup>3</sup>

**PREVIEW**

Access the largest collection of worksheets for just **\$19.95** per year!

Members, please log in to download this worksheet.

Log in

Not a member? Please sign up to gain complete access.

Sign up

[www.mathworksheets4kids.com](http://www.mathworksheets4kids.com)