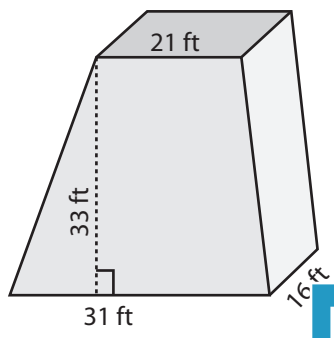


Volume: Prisms & Cylinders

L2MS3

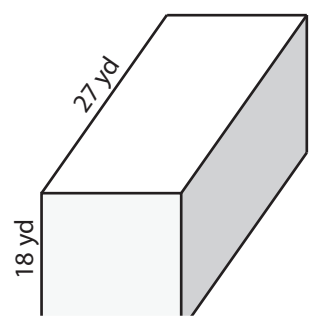
Find the volume of each shape. (use $\pi = 3.14$)

1)

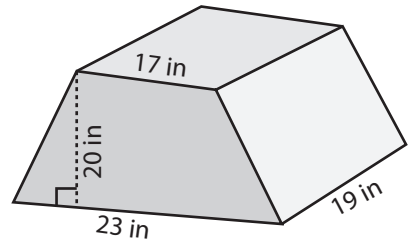


Volume = _____

2)

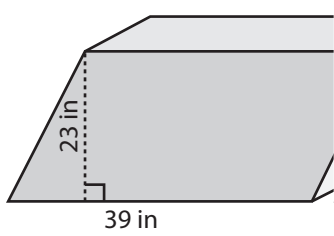


3)

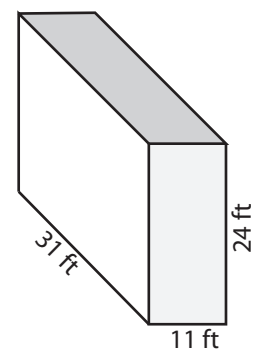


Volume = _____

4)

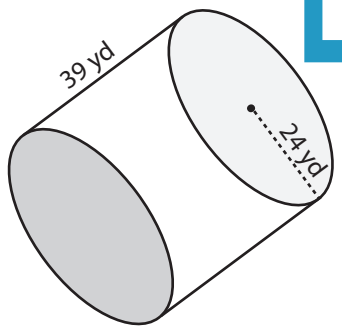


Volume = _____

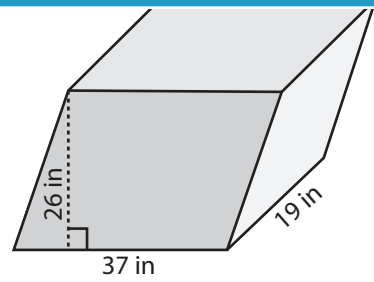


Volume = _____

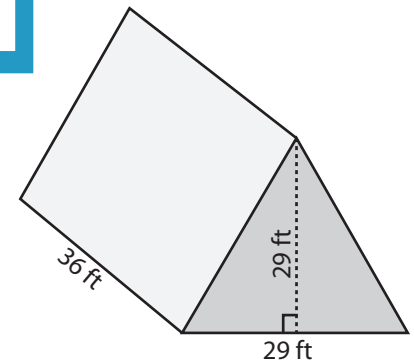
7)



Volume = _____



Volume = _____



Volume = _____

PREVIEW

Access the largest collection of worksheets for just **\$19.95** per year!

Members, please log in to download this worksheet.

Log in

Not a member? Please sign up to gain complete access.

Sign up

www.mathworksheets4kids.com

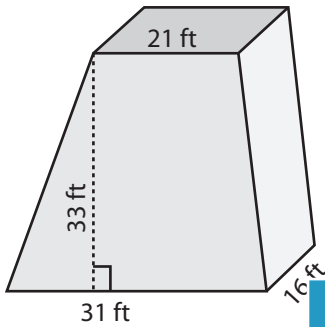
Answer Key

Volume: Prisms & Cylinders

L2MS3

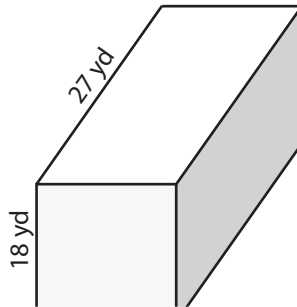
Find the volume of each shape. (use $\pi = 3.14$)

1)

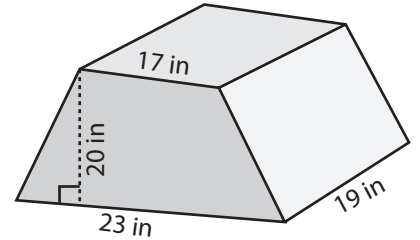


Volume = 13728 ft³

2)

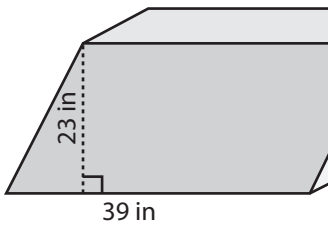


3)



Volume = 7600 in³

4)



Volume = 13455 in³

PREVIEW

Access the largest collection of worksheets for just **\$19.95** per year!

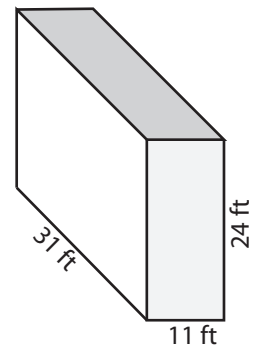
Members, please log in to download this worksheet.

Log in

Not a member? Please sign up to gain complete access.

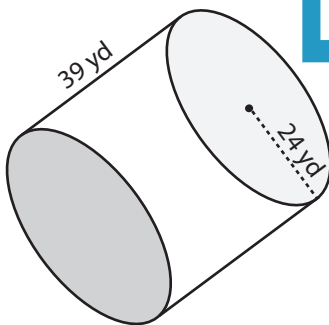
Sign up

www.mathworksheets4kids.com

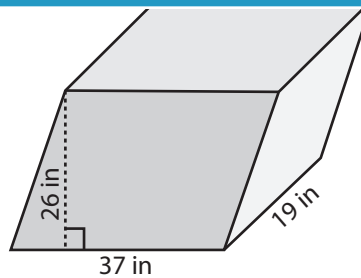


Volume = 8184 ft³

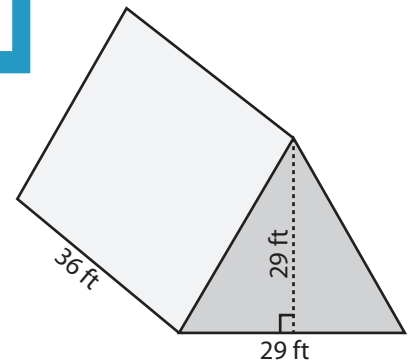
7)



Volume = 70536.96 yd³



Volume = 18278 in³



Volume = 15138 ft³