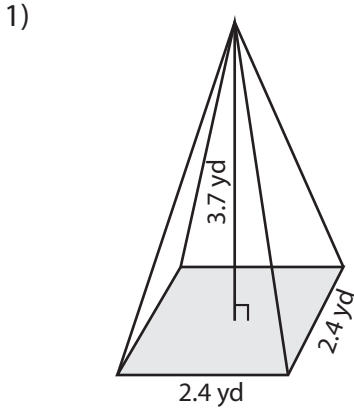


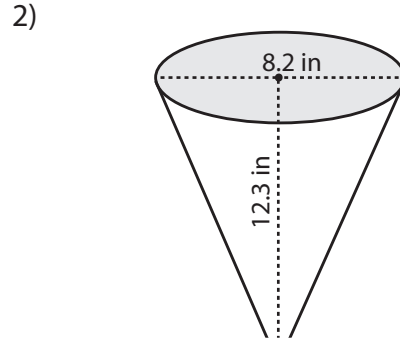
Volume of Pyramid

MS2

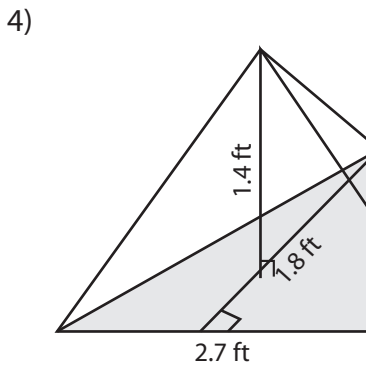
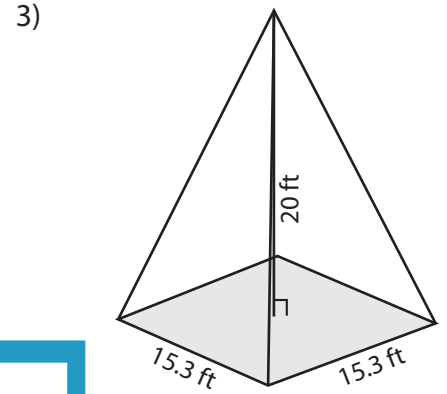
Find the volume of each pyramid. Round the answer to two decimal places.



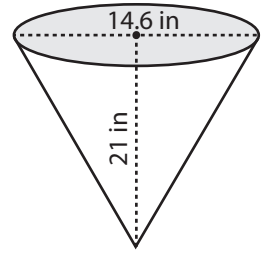
Volume = _____



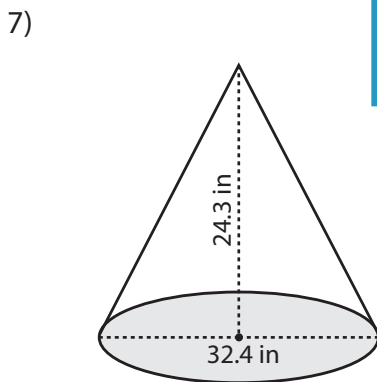
Volume = _____



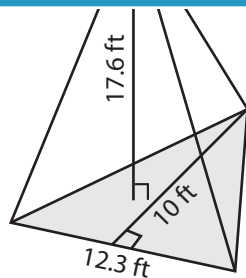
Volume = _____



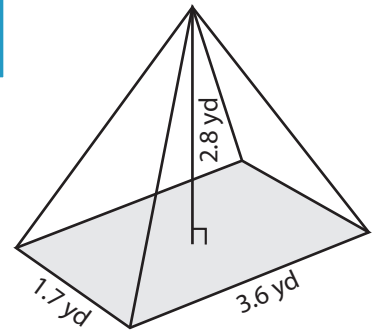
Volume = _____



Volume = _____



Volume = _____



Volume = _____

PREVIEW

Access the largest collection of
worksheets for just **\$19.95** per year!

Members, please
log in to
download this
worksheet.

Log in

Not a member?
Please sign up to
gain complete
access.

Sign up

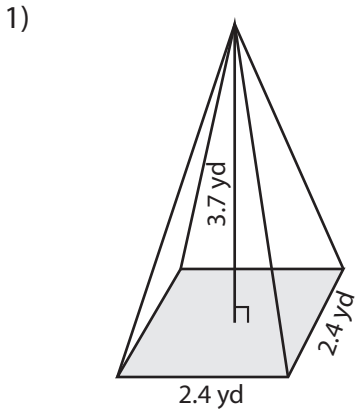
www.mathworksheets4kids.com

Answer Key

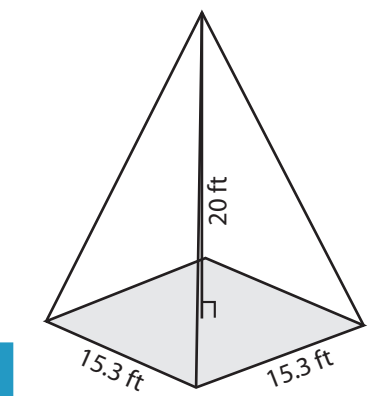
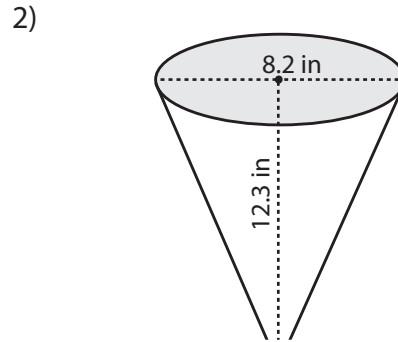
Volume of Pyramid

MS2

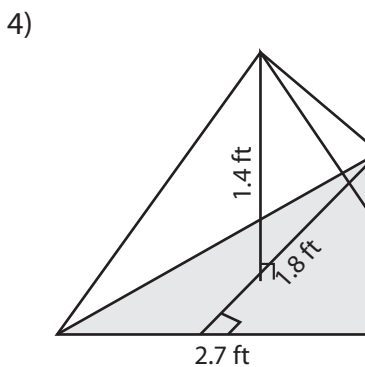
Find the volume of each pyramid. Round the answer to two decimal places.



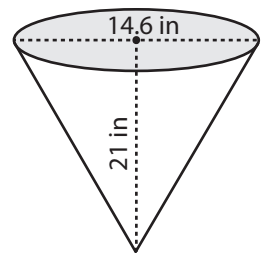
Volume = 7.1 yd³



Volume = 1560.6 ft³



Volume = 1.13 ft³



Volume = 1171.31 in³

PREVIEW

Access the largest collection of worksheets for just **\$19.95** per year!

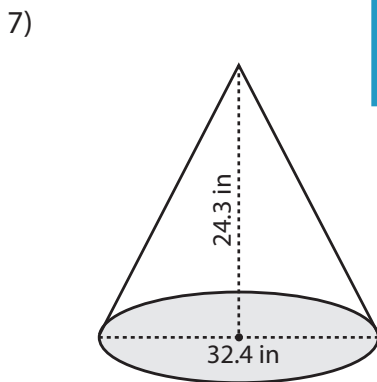
Members, please log in to download this worksheet.

Log in

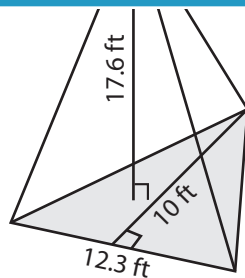
Not a member? Please sign up to gain complete access.

Sign up

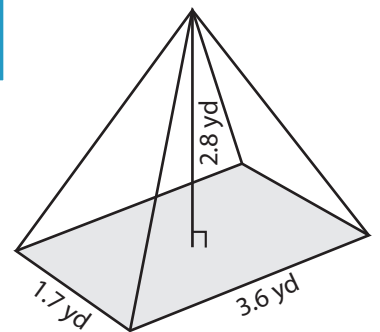
www.mathworksheets4kids.com



Volume = 6674.9 in³



Volume = 360.8 ft³



Volume = 5.71 yd³