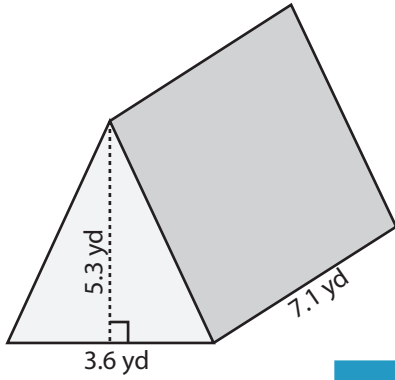


Volume of Triangular Prism

DS1

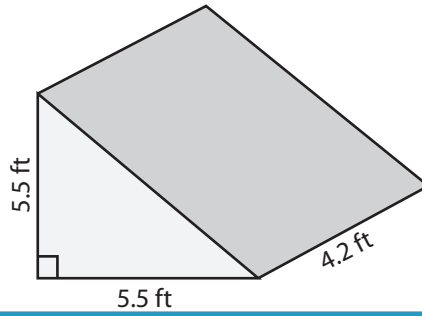
Find the volume of each triangular prism. Round the answer to nearest tenth.

1)



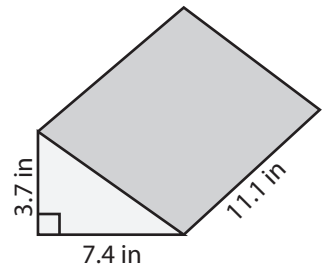
Volume = _____

2)

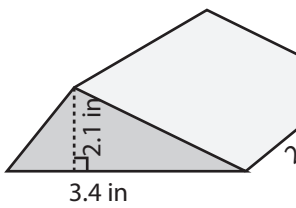


Volume = _____

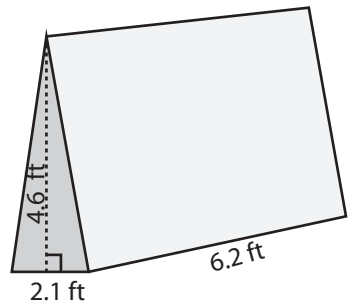
3)



4)

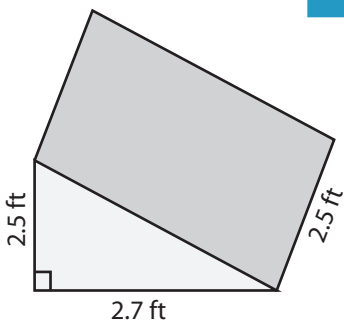


Volume = _____

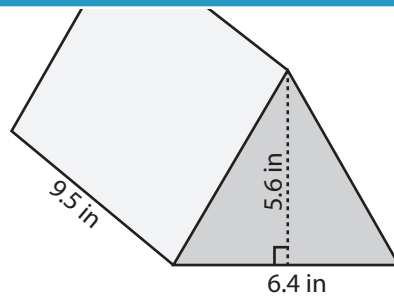


Volume = _____

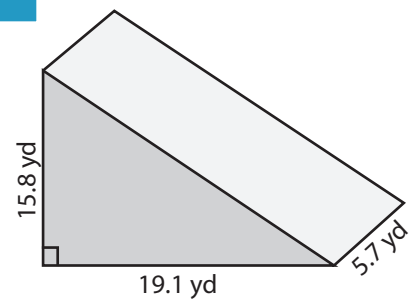
7)



Volume = _____



Volume = _____



Volume = _____

PREVIEW

Access the largest collection of
worksheets for just **\$19.95** per year!

Members, please
log in to
download this
worksheet.

Log in

Not a member?
Please sign up to
gain complete
access.

Sign up

www.mathworksheets4kids.com

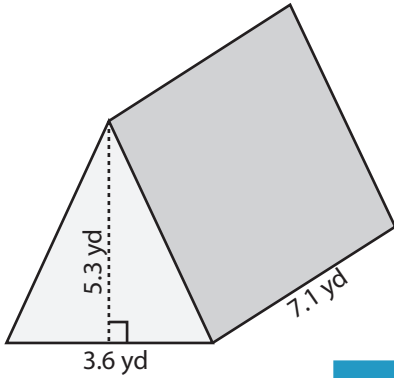
Answer Key

Volume of Triangular Prism

DS1

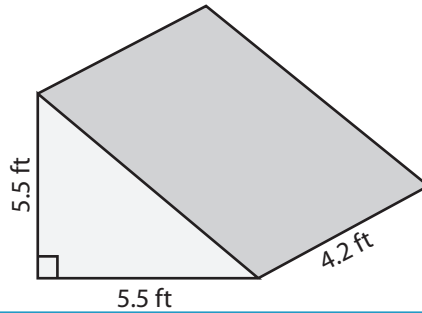
Find the volume of each triangular prism. Round the answer to nearest tenth.

1)



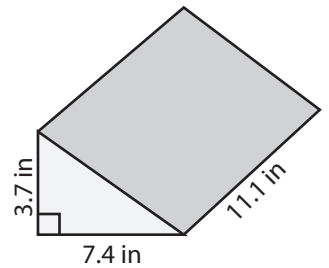
Volume = 67.7 yd³

2)

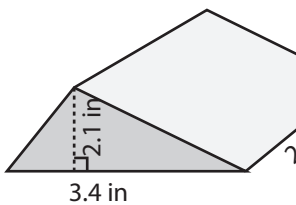


Volume = 152 in³

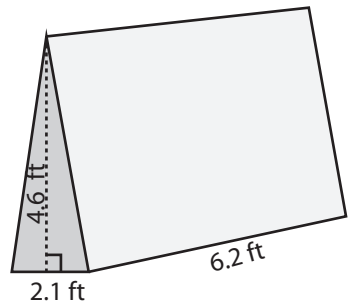
3)



4)

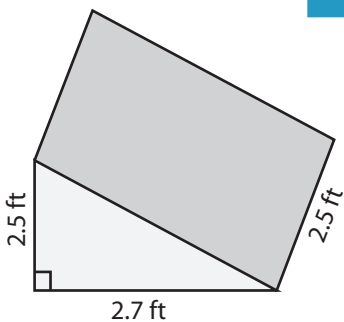


Volume = 9.6 in³

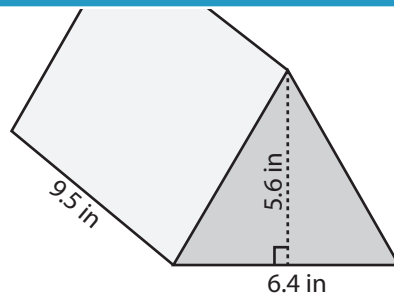


Volume = 29.9 ft³

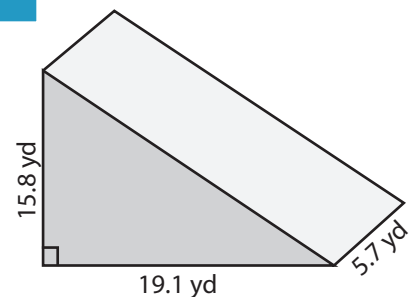
7)



Volume = 8.4 ft³



Volume = 170.2 in³



Volume = 860.1 yd³

PREVIEW

Access the largest collection of worksheets for just **\$19.95** per year!

Members, please log in to download this worksheet.

Log in

Not a member? Please sign up to gain complete access.

Sign up

www.mathworksheets4kids.com