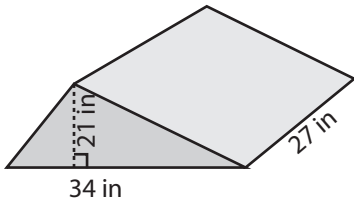


Volume of Triangular Prism

MS1

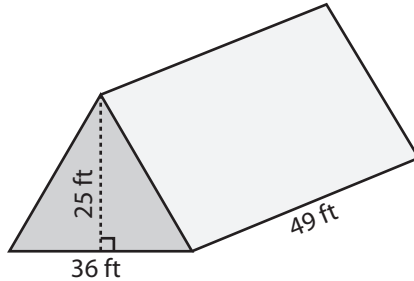
Find the volume of each triangular prism.

1)

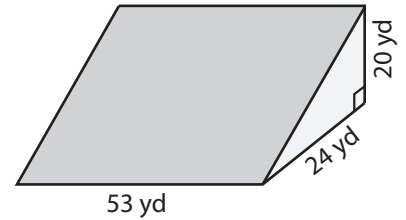


Volume = _____

2)

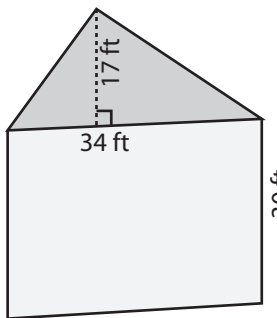


3)



me = _____

4)



Volume = _____

PREVIEW

Access the largest collection of
worksheets for just **\$19.95** per year!

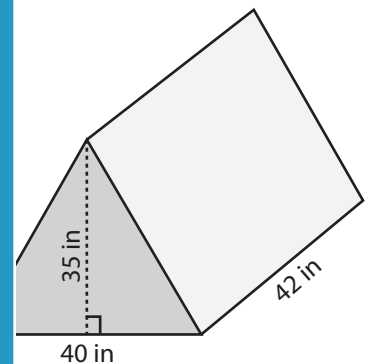
Members, please
log in to
download this
worksheet.

Log in

Not a member?
Please sign up to
gain complete
access.

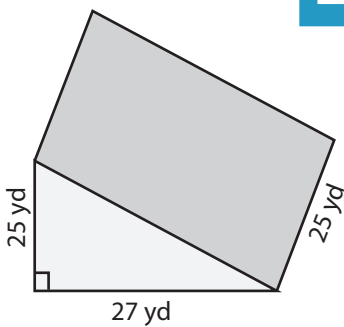
Sign up

www.mathworksheets4kids.com

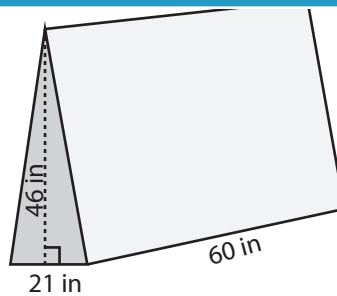


me = _____

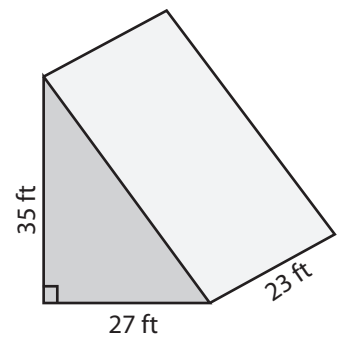
7)



Volume = _____



Volume = _____



Volume = _____

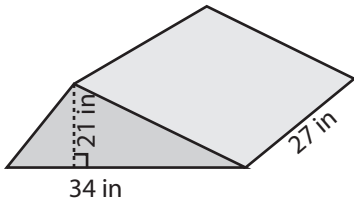
Answer Key

Volume of Triangular Prism

MS1

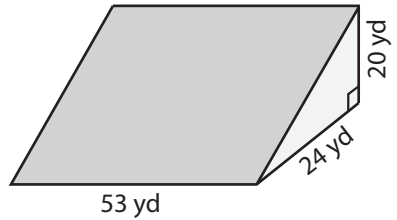
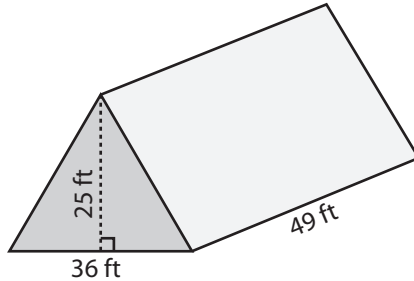
Find the volume of each triangular prism.

1)



Volume = 9639 in³

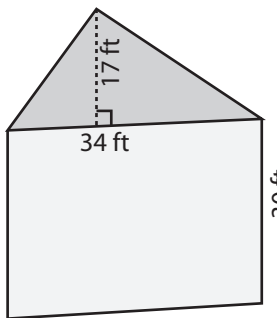
2)



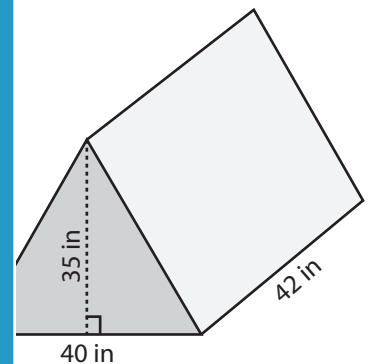
3)

Volume = 12720 yd³

4)

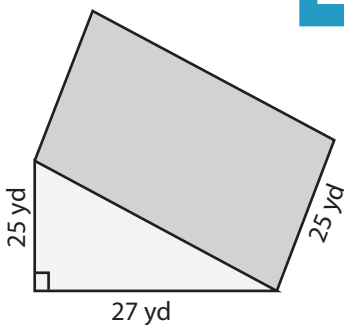


Volume = 8670 ft³

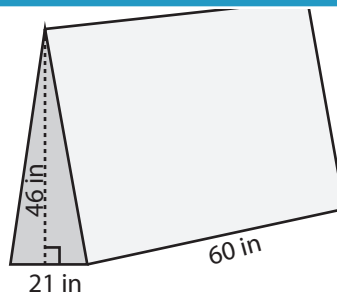


Volume = 29400 in³

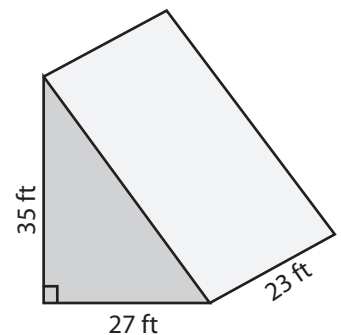
7)



Volume = 8437.5 yd³



Volume = 28980 in³



Volume = 10867.5 ft³

PREVIEW

Access the largest collection of worksheets for just **\$19.95** per year!

Members, please log in to download this worksheet.

Log in

Not a member? Please sign up to gain complete access.

Sign up

www.mathworksheets4kids.com