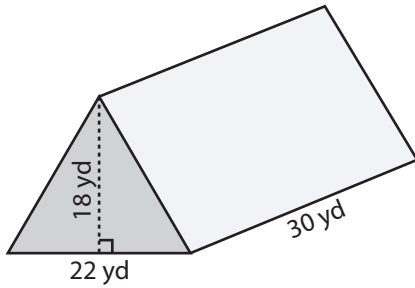


Volume of Triangular Prism

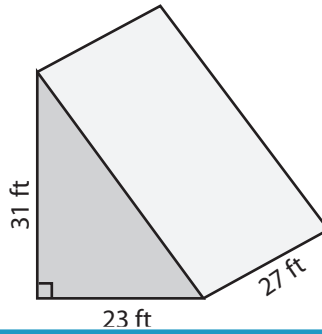
Find the volume of each triangular prism.

1)

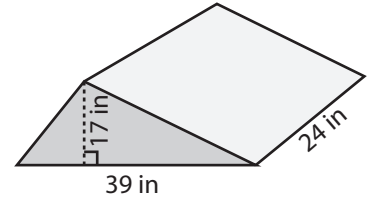


Volume = _____

2)

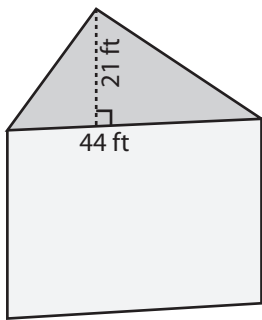


3)



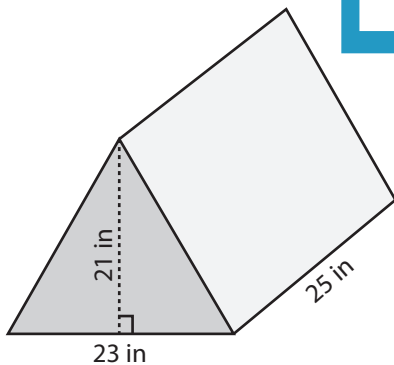
Volume = _____

4)

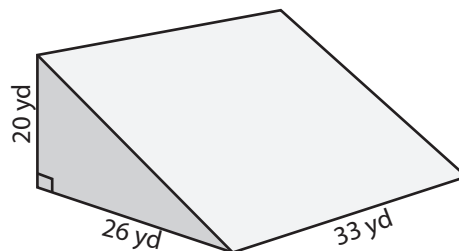


Volume = _____

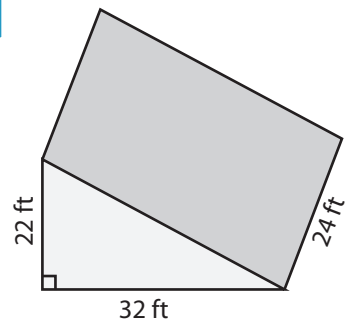
7)



Volume = _____



Volume = _____



Volume = _____

PREVIEW

Access the largest collection of
worksheets for just **\$19.95** per year!

Members, please
log in to
download this
worksheet.

Log in

Not a member?
Please sign up to
gain complete
access.

Sign up

www.mathworksheets4kids.com

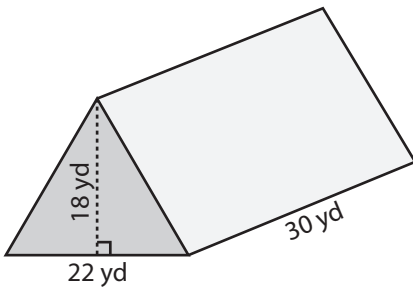
Answer Key

Volume of Triangular Prism

MS2

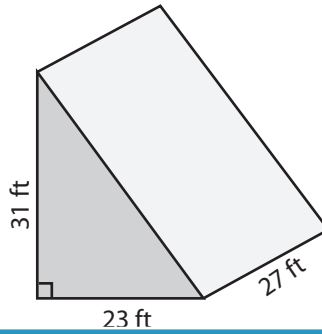
Find the volume of each triangular prism.

1)

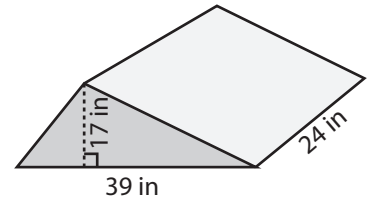


Volume = 5940 yd³

2)

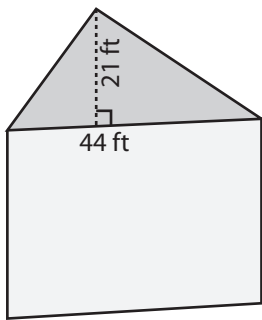


3)



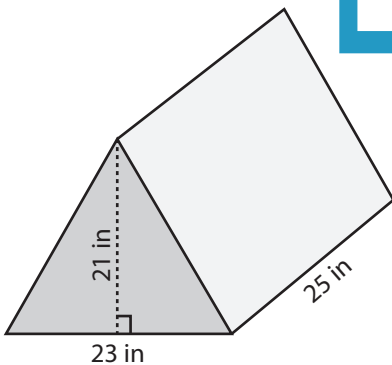
Volume = 7956 in³

4)

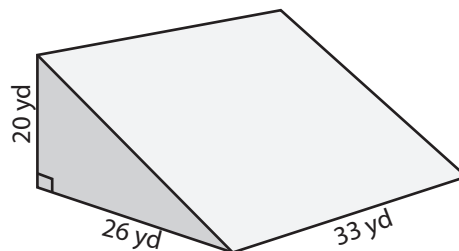


Volume = 16170 ft³

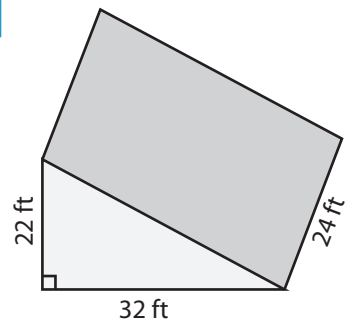
7)



Volume = 6037.5 in³



Volume = 8580 yd³



Volume = 8448 ft³

PREVIEW

Access the largest collection of worksheets for just **\$19.95** per year!

Members, please log in to download this worksheet.

Log in

Not a member? Please sign up to gain complete access.

Sign up

www.mathworksheets4kids.com