

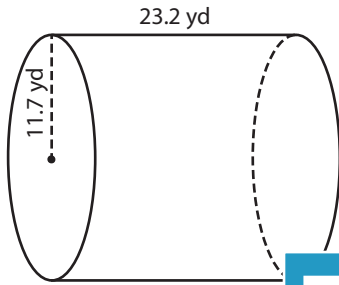
Name : _____

Volume - Cylinder

Decimals: ES5

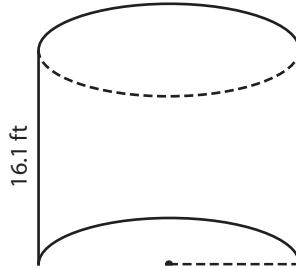
A) Find the volume of each cylinder. Round your answer to two decimal places. (use $\pi = 3.14$)

1)



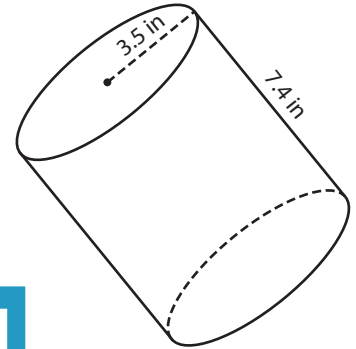
Volume = _____

2)



Volume = _____

3)



Volume = _____

B) Find the volume of each cylinder. Round your answer to two decimal places.

4) height = 10.3 ft ; radius = 13.7 yd

Volume = _____

6) radius = 4 in ; height = 18.1 ft

Volume = _____

PREVIEW

Gain complete access to the largest collection of worksheets in all subjects!

Members, please log in to download this worksheet.

Not a member? Please sign up to gain complete access.

www.mathworksheets4kids.com

Volume = _____

8) How much cream can a cylindrical container with height 2.8 inches and radius 1.5 inches hold? Round your answer to two decimal places. (use $\pi = 3.14$)

Name : _____

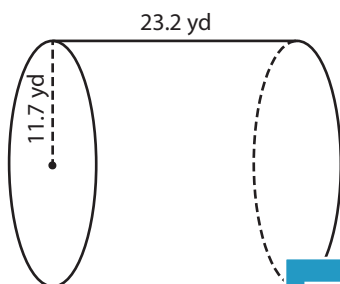
Answer key

Volume - Cylinder

Decimals: ES5

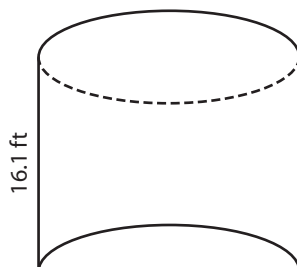
A) Find the volume of each cylinder. Round your answer to two decimal places. (use $\pi = 3.14$)

1)



Volume = 9,972.16

2)



B) Find the volume of each cylinder. Round your answer to two decimal places.

4) height = 10.3 ft ; radius = 15.2 ft

Volume = 7,670.26

6) radius = 4 in ; height = 11.2 in

Volume = 346.66 in³

PREVIEW

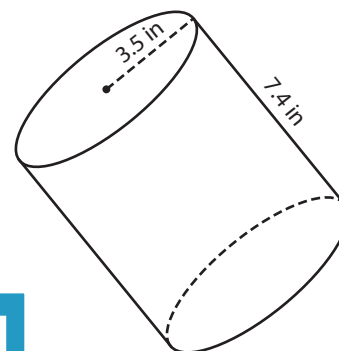
Gain complete access to the largest collection of worksheets in all subjects!

Members, please log in to download this worksheet.

Not a member? Please sign up to gain complete access.

www.mathworksheets4kids.com

3)



Volume = 284.64 in³

5) radius = 13.7 yd ; height = 10.8 yd

Volume = 652.19 yd³

7) radius = 12.1 ft ; height = 18.1 ft

Volume = 9,022.97 ft³

8) How much cream can a cylindrical container with height 2.8 inches and radius 1.5 inches hold? Round your answer to two decimal places. (use $\pi = 3.14$)

19.78 cubic inches