

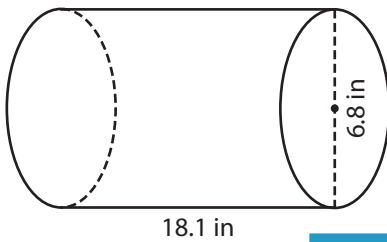
Name : _____

Decimals: MS1

Volume - Cylinder

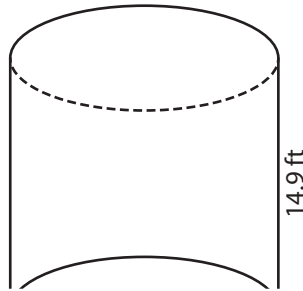
A) Find the volume of each cylinder. Round your answer to two decimal places. (use $\pi = 3.14$)

1)



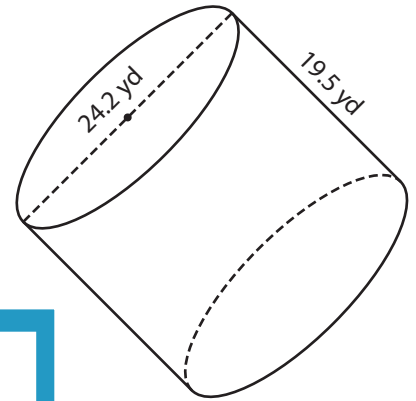
Volume = _____

2)



Volume = _____

3)



Volume = _____

B) Find the volume of each cylinder. Round your answer to two decimal places.

4) height = 17.6 in ; radius = 4.2 in

Volume = _____

6) radius = 5.5 yd ; height = 12.8 yd

Volume = _____

PREVIEW

Gain complete access to the largest collection of worksheets in all subjects!

Members, please log in to download this worksheet.

Not a member? Please sign up to gain complete access.

www.mathworksheets4kids.com

Volume = _____

8) The height and diameter of Brenda's above-ground cylindrical pool are 5.1 feet and 15 feet respectively. How much water can the pool contain? Round your answer to two decimal places. (use $\pi = 3.14$)

Name : _____

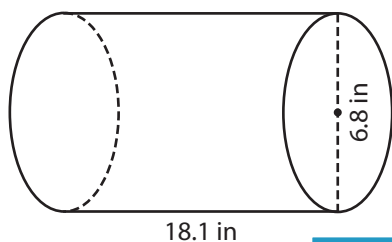
Answer key

Decimals: MS1

Volume - Cylinder

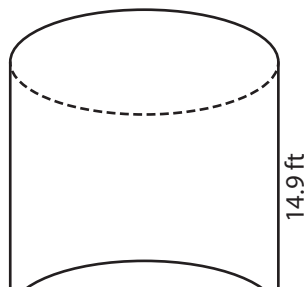
A) Find the volume of each cylinder. Round your answer to two decimal places. (use $\pi = 3.14$)

1)



Volume = 657 in³

2)



B) Find the volume of each cylinder. Round your answer to two decimal places.

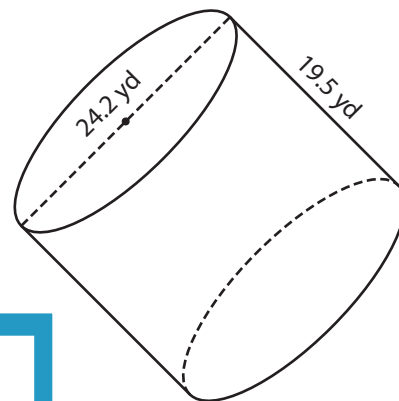
4) height = 17.6 in ; radius = 5.5 in

Volume = 243.7 in³

6) radius = 5.5 yd ; height = 19.5 yd

Volume = 930.85 yd³

3)



Volume = 8,964.68 yd³

5) diameter = 28.4 ft ; height = 17.6 ft

7) radius = 5.5 yd ; height = 21.3 in

Volume = 1,041 ft³

8) The height and diameter of Brenda's above-ground cylindrical pool are 5.1 feet and 15 feet respectively. How much water can the pool contain? Round your answer to two decimal places. (use $\pi = 3.14$)

900.79 cubic feet

PREVIEW

Gain complete access to the largest collection of worksheets in all subjects!

Members, please log in to download this worksheet.

Not a member? Please sign up to gain complete access.

www.mathworksheets4kids.com