

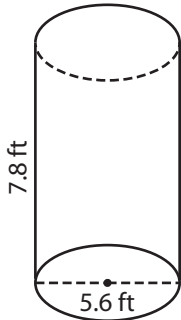
Name : _____

Decimals: MS4

Volume - Cylinder

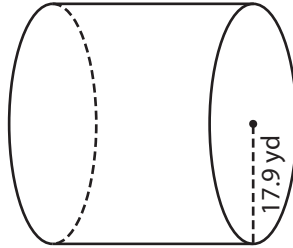
A) Find the volume of each cylinder. Round your answer to two decimal places. (use $\pi = 3.14$)

1)



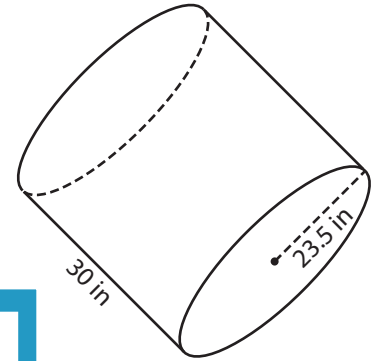
Volume = _____

2)



Volume = _____

3)



Volume = _____

B) Find the volume of each cylinder. Round your answer to two decimal places.

4) diameter = 19.2 ft ; height = 12.5 ft

Volume = _____

6) height = 21.7 in ; radius = 4.5 in

Volume = _____

Gain complete access to the largest collection of worksheets in all subjects!

Members, please log in to download this worksheet.

Not a member? Please sign up to gain complete access.

www.mathworksheets4kids.com

5) diameter = 16.6 yd ; height = 10.5 yd

7) diameter = 16.6 yd ; height = 10.5 yd

8) height = 18.5 ft ; radius = 3.5 ft

Volume = _____

8) The Millers have a 11-inch tall cylindrical planter. What is the volume of the planter, if its diameter is 10.5 inches? Round your answer to two decimal places. (use $\pi = 3.14$)

Name : _____

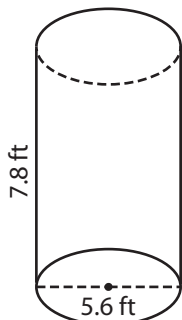
Answer key

Decimals: MS4

Volume - Cylinder

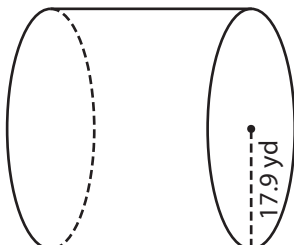
A) Find the volume of each cylinder. Round your answer to two decimal places. (use $\pi = 3.14$)

1)



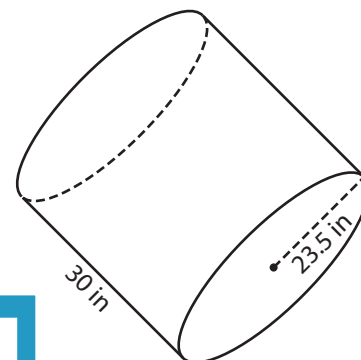
Volume = 192.02

2)



Volume = 192.02

3)



Volume = 52,021.95 in³

B) Find the volume of each cylinder. Round your answer to two decimal places.

4) diameter = 19.2 ft ; height = 18.5 ft

Volume = 4,138.1

6) height = 21.7 in ; radius = 10.5 in

Volume = 15,742.6 in³

Gain complete access to the largest collection of worksheets in all subjects!

Members, please log in to download this worksheet.

Not a member? Please sign up to gain complete access.

www.mathworksheets4kids.com

Volume = 7,028.89 ft³

8) The Millers have a 11-inch tall cylindrical planter. What is the volume of the planter, if its diameter is 10.5 inches? Round your answer to two decimal places. (use $\pi = 3.14$)

952.01 cubic inches