

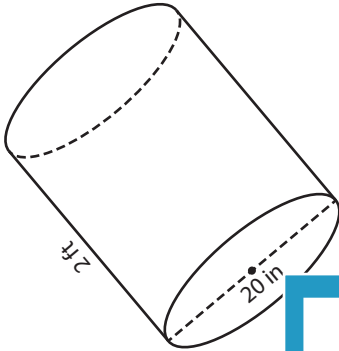
Name : \_\_\_\_\_

Integers: DS2

## Volume - Cylinder

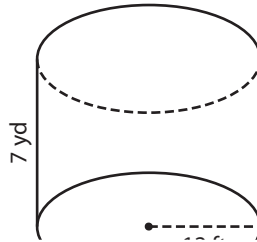
A) Find the volume of each cylinder. Round your answer to two decimal places. (use  $\pi = 3.14$ )

1)



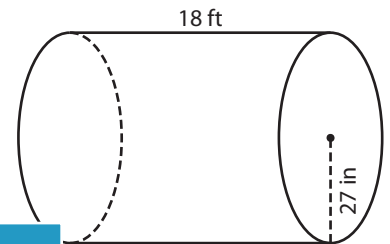
Volume = \_\_\_\_\_

2)



Volume = \_\_\_\_\_

3)



Volume = \_\_\_\_\_  $\text{ft}^3$

B) Find the volume of each cylinder. Round your answer to two decimal places.

4) height = 1 yd ; radius = 20 in

Volume = \_\_\_\_\_

6) diameter = 16 ft ; height = 25 in

Volume = \_\_\_\_\_  $\text{in}^3$

diameter = 6 yd

Volume = \_\_\_\_\_  $\text{ft}^3$

Volume = \_\_\_\_\_  $\text{yd}^3$

8) A cylindrical fish tank is 8 feet tall. The diameter is 48 inches. How much water can the tank hold? Round your answer to two decimal places. (use  $\pi = 3.14$ )

\_\_\_\_\_ cubic feet

**PREVIEW**

Gain complete access to the largest collection of worksheets in all subjects!

Members, please log in to download this worksheet.

Not a member? Please sign up to gain complete access.

[www.mathworksheets4kids.com](http://www.mathworksheets4kids.com)

Name : \_\_\_\_\_

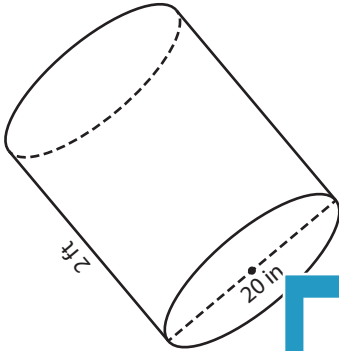
### Answer key

Integers: DS2

## Volume - Cylinder

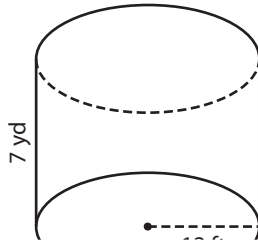
A) Find the volume of each cylinder. Round your answer to two decimal places. (use  $\pi = 3.14$ )

1)



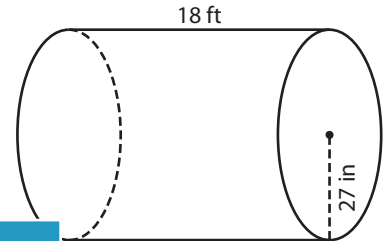
Volume = 7,536

2)



Volume = 7,536

3)



Volume = 286.13 ft<sup>3</sup>

B) Find the volume of each cylinder. Round your answer to two decimal places.

4) height = 1 yd ; radius = 1.4 yd

Volume = 1.4

6) diameter = 16 ft ; height = 25 in

Volume = 1,216 in<sup>3</sup>

diameter = 6 yd

Volume = 3,014.4 ft<sup>3</sup>

Volume = 169.56 yd<sup>3</sup>

8) A cylindrical fish tank is 8 feet tall. The diameter is 48 inches. How much water can the tank hold? Round your answer to two decimal places. (use  $\pi = 3.14$ )

100.48 cubic feet

**PREVIEW**

Gain complete access to the largest collection of worksheets in all subjects!

Members, please log in to download this worksheet.

Not a member? Please sign up to gain complete access.

[www.mathworksheets4kids.com](http://www.mathworksheets4kids.com)