

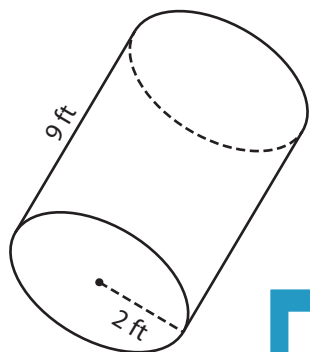
Name : _____

Volume - Cylinder

Integers: ES3

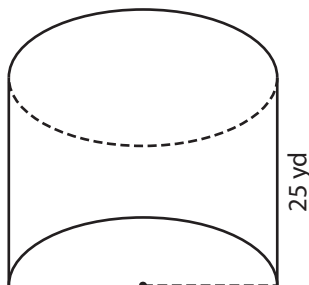
A) Find the volume of each cylinder. (use $\pi = 3.14$)

1)



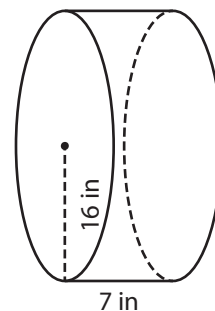
Volume = _____

2)



Volume = _____

3)



Volume = _____

B) Find the volume of each cylinder. (use $\pi = 3.14$)

4) height = 14 in ; radius = 5 in

Volume = _____

6) radius = 12 yd ; height = 18 yd

Volume = _____

Gain complete access to the largest collection of worksheets in all subjects!

Members, please log in to download this worksheet.

Not a member? Please sign up to gain complete access.

www.mathworksheets4kids.com

5) height = 14 in ; radius = 11 ft

Volume = _____

7) height = 20 in ; radius = 10 yd

Volume = _____

8) A horizontal cylindrical tank is 8 feet long. If the radius of the tank is 4 feet, what is the capacity of the tank? (use $\pi = 3.14$)

Name : _____

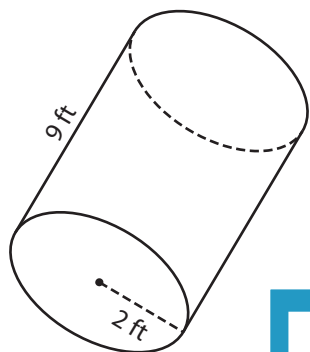
Answer key

Volume - Cylinder

Integers: ES3

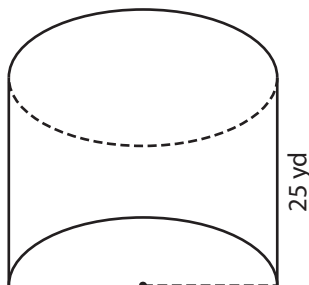
A) Find the volume of each cylinder. (use $\pi = 3.14$)

1)



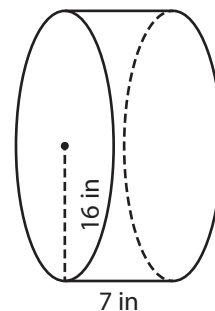
Volume = 113.04

2)



Volume = 2,813.4

3)



Volume = 5,626.88 in³

B) Find the volume of each cylinder. (use $\pi = 3.14$)

4) height = 14 in ; radius = 11 ft

Volume = 58.98 ft³

6) radius = 12 yd ; height = 20 in

Volume = 2,260.8 yd³

Volume = 49,235.2 in³

8) A horizontal cylindrical tank is 8 feet long. If the radius of the tank is 4 feet, what is the capacity of the tank? (use $\pi = 3.14$)

401.92 cubic feet

PREVIEW

Gain complete access to the largest collection of worksheets in all subjects!

Members, please log in to download this worksheet.

Not a member? Please sign up to gain complete access.

www.mathworksheets4kids.com