

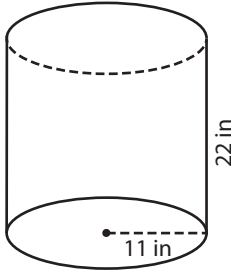
Name : _____

Volume - Cylinder

Integers: ES4

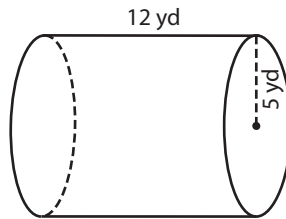
A) Find the volume of each cylinder. (use $\pi = 3.14$)

1)



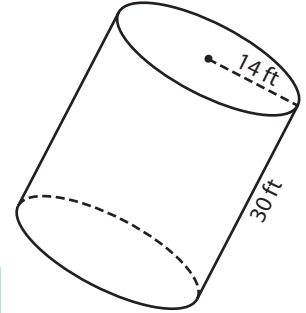
Volume = _____

2)



Volume = _____

3)



Volume = _____

B) Find the volume of each cylinder.

Gain complete access to the largest collection of worksheets in all subjects!

(use $\pi = 3.14$)

4) height = 9 yd ; radius = 4 yd

height = 25 in

Volume = _____

Volume = _____

6) radius = 6 ft ; height = 10 ft

radius = 3 yd

Volume = _____

Volume = _____

8) If the height of a washer tub is 18 inches and its radius 12 inches, what is the volume of the tub? (use $\pi = 3.14$)

Name : _____

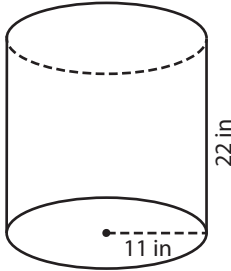
Answer key

Volume - Cylinder

Integers: ES4

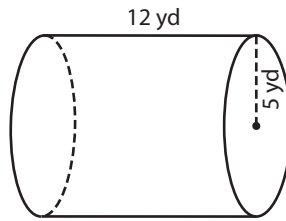
A) Find the volume of each cylinder. (use $\pi = 3.14$)

1)



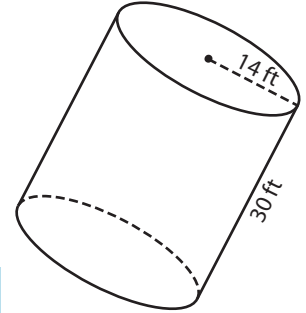
Volume = 8,358.6

2)



Volume = 18,463.2 ft³

3)



B) Find the volume of each cylinder.

Gain complete access to the largest collection of worksheets in all subjects!

(use $\pi = 3.14$)

4) height = 9 yd ; radius = 5 yd

height = 25 in

Volume = 452.16

400 in³

6) radius = 6 ft ; height = 10 ft

radius = 3 yd

Volume = 1,921.68 ft³

Volume = 226.08 yd³

8) If the height of a washer tub is 18 inches and its radius 12 inches, what is the volume of the tub? (use $\pi = 3.14$)

8,138.88 cubic inches