

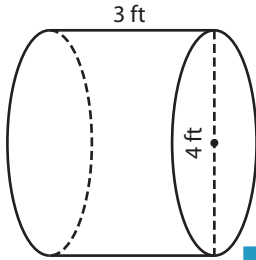
Name : _____

Volume - Cylinder

Integers: MS2

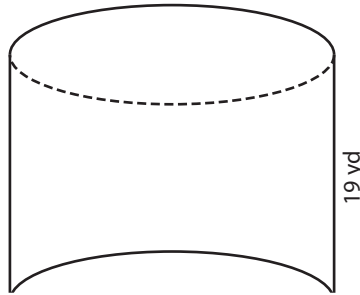
A) Find the volume of each cylinder. (use $\pi = 3.14$)

1)



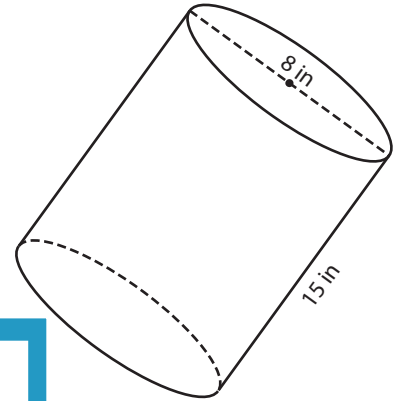
Volume = _____

2)



Volume = _____

3)



Volume = _____

B) Find the volume of each cylinder. (use $\pi = 3.14$)

4) diameter = 28 ft ; height = 18 yd

Volume = _____

6) height = 11 in ; radius = 14 ft

Volume = _____

Volume = _____

8) The diameter and height of a cylindrical jar are both 7 inches. What is the volume of the jar? Round your answer to two decimal places. (use $\pi = 3.14$)

PREVIEW

Gain complete access to the largest collection of worksheets in all subjects!

Members, please log in to download this worksheet.

Not a member? Please sign up to gain complete access.

www.mathworksheets4kids.com

Name : _____

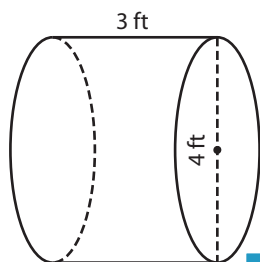
Answer key

Volume - Cylinder

Integers: MS2

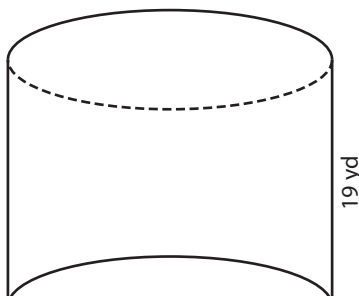
A) Find the volume of each cylinder. (use $\pi = 3.14$)

1)



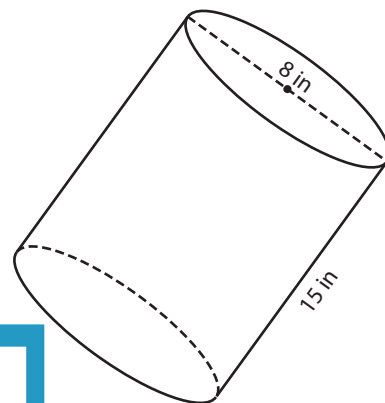
Volume = 37.68

2)



Volume = 12,308

3)



Volume = 753.6 in³

B) Find the volume of each cylinder. (use $\pi = 3.14$)

4) diameter = 28 ft ; height = 18 yd

Volume = 12,308

6) height = 11 in ; radius = 14 ft

Volume = 2,797.74 in³

Volume = 923.16 ft³

8) The diameter and height of a cylindrical jar are both 7 inches. What is the volume of the jar? Round your answer to two decimal places. (use $\pi = 3.14$)

269.26 cubic inches

PREVIEW

Gain complete access to the largest collection of worksheets in all subjects!

Members, please log in to download this worksheet.

Not a member? Please sign up to gain complete access.

www.mathworksheets4kids.com