

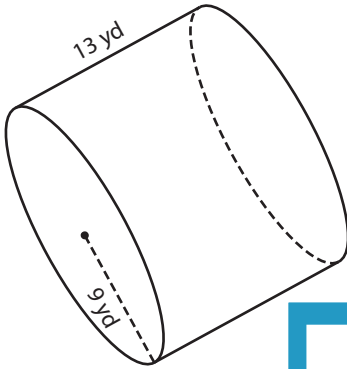
Name : _____

Volume - Cylinder

Integers: MS3

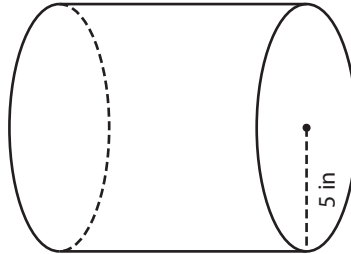
A) Find the volume of each cylinder. (use $\pi = 3.14$)

1)



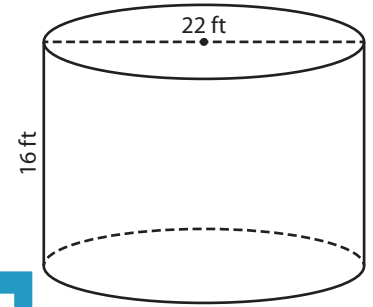
Volume = _____

2)



Volume = _____

3)



Volume = _____

B) Find the volume of each cylinder. (use $\pi = 3.14$)

4) radius = 7 yd ; height = 10 yd

Volume = _____

6) diameter = 26 ft ; height = 12 ft

Volume = _____

5) radius = 14 in ; height = 8 in

Volume = _____

7) radius = 20 yd ; height = 15 yd

Volume = _____

8) There is a cylindrical pot with diameter 24 inches. What is the capacity of the pot, if its height is 14 inches? (use $\pi = 3.14$)

PREVIEW

Gain complete access to the largest collection of worksheets in all subjects!

Members, please log in to download this worksheet.

Not a member? Please sign up to gain complete access.

www.mathworksheets4kids.com

Name : _____

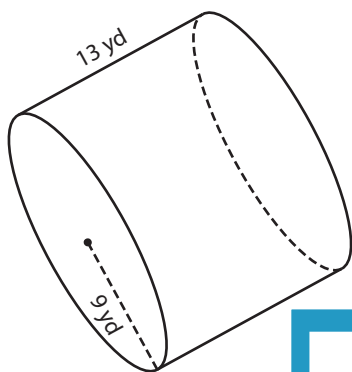
Answer key

Volume - Cylinder

Integers: MS3

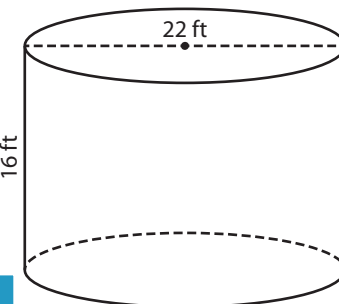
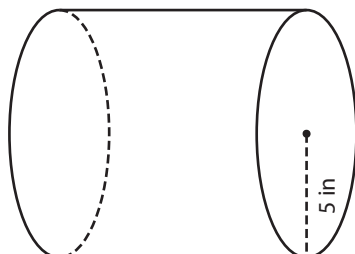
A) Find the volume of each cylinder. (use $\pi = 3.14$)

1)



Volume = 3,306.42

2)



Volume = 6,079.04 ft³

B) Find the volume of each cylinder. (use $\pi = 3.14$)

4) radius = 7 yd ; height = 10 yd

Volume = 1,692.42

6) diameter = 26 ft ; height = 12 ft

Volume = 9,021.22 ft³

Gain complete access to the largest collection of worksheets in all subjects!

Members, please log in to download this worksheet.

Not a member? Please sign up to gain complete access.

www.mathworksheets4kids.com

diameter = 14 in

Volume = 107.9 in³

radius = 20 yd

Volume = 10,048 yd³

8) There is a cylindrical pot with diameter 24 inches. What is the capacity of the pot, if its height is 14 inches? (use $\pi = 3.14$)

6,330.24 cubic inches