

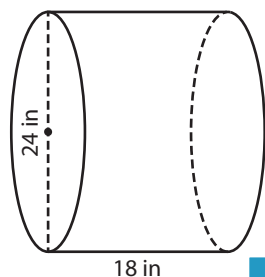
Name : _____

Volume - Cylinder

Integers: MS4

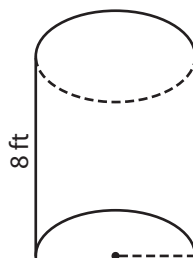
A) Find the volume of each cylinder. (use $\pi = 3.14$)

1)



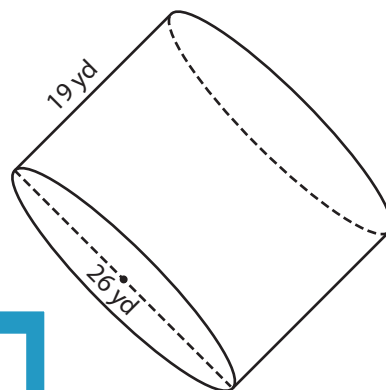
Volume = _____

2)



Volume = _____

3)



Volume = _____

B) Find the volume of each cylinder. (use $\pi = 3.14$)

4) radius = 4 in ; height = 10 in

Volume = _____

6) height = 21 yd ; diameter = 16 yd

Volume = _____

Gain complete access to the largest collection of worksheets in all subjects!

Members, please log in to download this worksheet.

Not a member? Please sign up to gain complete access.

www.mathworksheets4kids.com

Volume = _____

8) The Smiths have a cylindrical steel swimming pool. The depth of the pool is 4 feet and the diameter is 18 feet. How much water can the pool contain? (use $\pi = 3.14$)

Name : _____

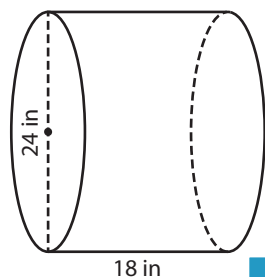
Answer key

Volume - Cylinder

Integers: MS4

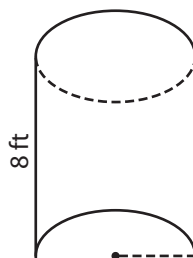
A) Find the volume of each cylinder. (use $\pi = 3.14$)

1)



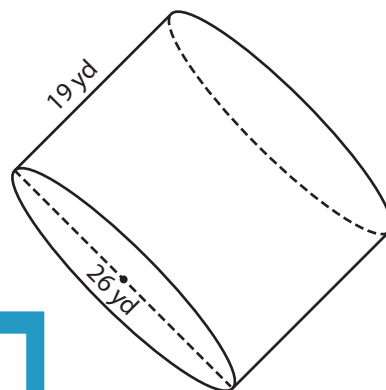
Volume = 8,138.88

2)



Volume = 8,138.88

3)



Volume = 10,082.54 yd³

B) Find the volume of each cylinder. (use $\pi = 3.14$)

4) radius = 4 in ; height = 10 in

Volume = 854.08

6) height = 21 yd ; diameter = 26 yd

Volume = 12,924.24 yd³

Gain complete access to the largest collection of worksheets in all subjects!

Members, please log in to download this worksheet.

Not a member? Please sign up to gain complete access.

www.mathworksheets4kids.com

5) radius = 16 ft ; height = 10 ft

Volume = 88.32 ft³

height = 10 ft

Volume = 1,538.6 ft³

8) The Smiths have a cylindrical steel swimming pool. The depth of the pool is 4 feet and the diameter is 18 feet. How much water can the pool contain? (use $\pi = 3.14$)

1,017.36 cubic feet