

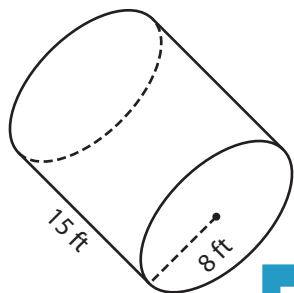
Name : _____

Volume - Cylinder

Integers: MS5

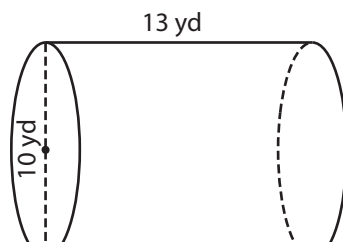
A) Find the volume of each cylinder. (use $\pi = 3.14$)

1)



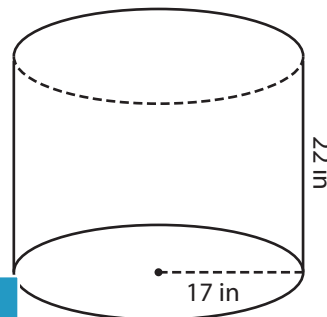
Volume = _____

2)



Volume = _____

3)



Volume = _____

B) Find the volume of each cylinder. (use $\pi = 3.14$)

4) height = 16 ft ; radius = 5 ft

Volume = _____

6) radius = 19 in ; height = 14 in

Volume = _____

Volume = _____

8) An oil drum is half-filled with crude oil. The diameter of the drum is 22 inches and the height 33 inches. What is the volume of the part of the drum containing oil? (use $\pi = 3.14$)

PREVIEW

Gain complete access to the largest collection of worksheets in all subjects!

Members, please log in to download this worksheet.

Not a member? Please sign up to gain complete access.

www.mathworksheets4kids.com

Name : _____

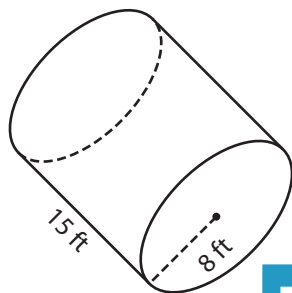
Answer key

Volume - Cylinder

Integers: MS5

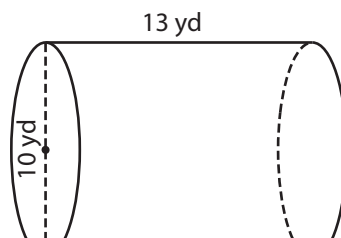
A) Find the volume of each cylinder. (use $\pi = 3.14$)

1)



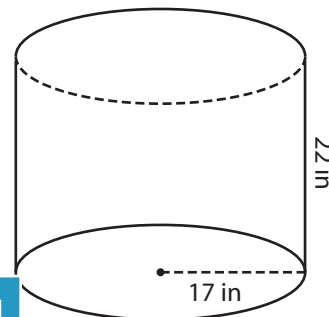
Volume = 3,014.4

2)



Volume = 3,910

3)



Volume = 19,964.12 in³

B) Find the volume of each cylinder. (use $\pi = 3.14$)

4) height = 16 ft ; radius = 10 ft

Volume = 5,024

6) radius = 19 in ; height = 14 in

Volume = 28,338.5 in³

Volume = 254.34 in³

8) An oil drum is half-filled with crude oil. The diameter of the drum is 22 inches and the height 33 inches. What is the volume of the part of the drum containing oil? (use $\pi = 3.14$)

12,538.02 cubic inches

PREVIEW

Gain complete access to the largest collection of worksheets in all subjects!

Members, please log in to download this worksheet.

Not a member? Please sign up to gain complete access.

www.mathworksheets4kids.com