

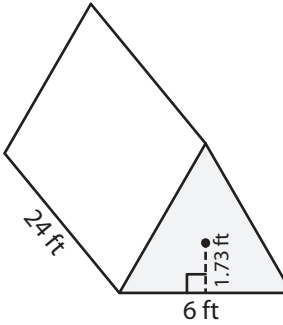
Name: _____

Volume - Prism

L1S2

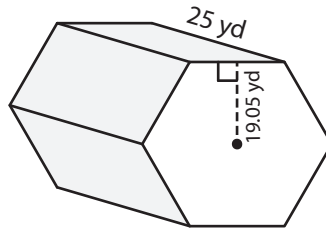
Find the volume of each regular prism.

1)

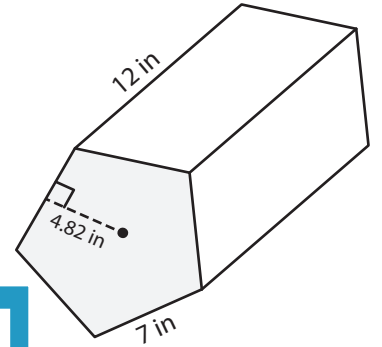


Volume = _____

2)

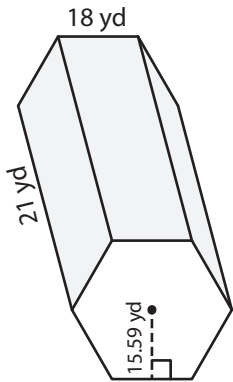


3)



Volume = _____

4)



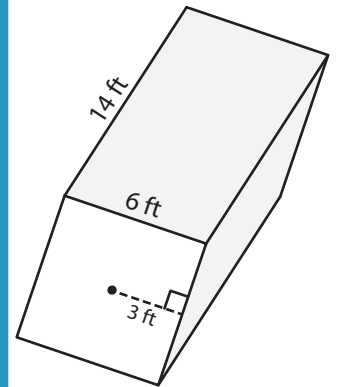
Volume = _____

Gain complete access to the largest collection of worksheets in all subjects!

Members, please log in to download this worksheet.

Not a member? Please sign up to gain complete access.

www.mathworksheets4kids.com



Volume = _____

7) A square prism has a length of 12 feet and the side length and the apothem of the base square are 4 feet and 2 feet respectively. Determine the volume of the prism.

8) A regular prism with a pentagonal base has a length of 19 yards. The side length and the apothem of the base pentagon are 4 feet and 2 feet respectively. Find the volume of the prism.

Name: _____

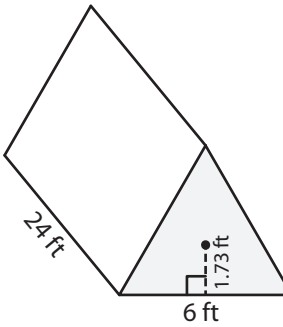
Answer key

Volume - Prism

L1S2

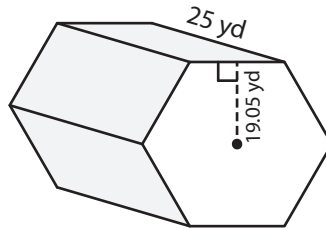
Find the volume of each regular prism.

1)

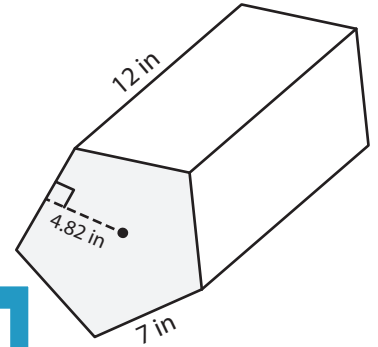


Volume = 373.68 ft³

2)

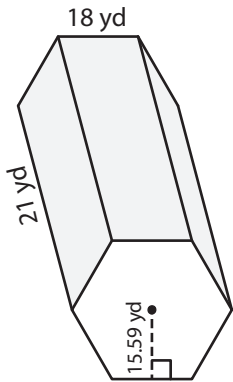


3)



Volume = 1,012.2 in³

4)



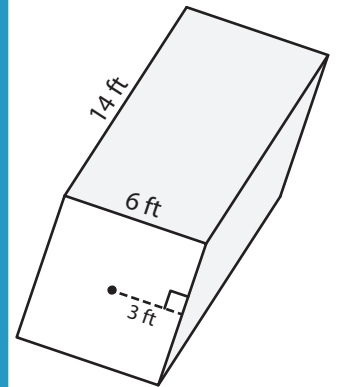
Volume = 17,679.06 yd³

Gain complete access to the largest collection of worksheets in all subjects!

Members, please log in to download this worksheet.

Not a member? Please sign up to gain complete access.

www.mathworksheets4kids.com



Volume = 504 ft³

7) A square prism has a length of 10 feet and the side length and the apothem of the base square are 4 feet and 2 feet respectively. Determine the volume of the prism.

160 cubic feet

8) A regular prism with a pentagonal base has a length of 19 yards. The side length and the apothem of the base pentagon are 4 feet and 13.76 yards respectively. Find the volume of the prism.

13,072 cubic yards