

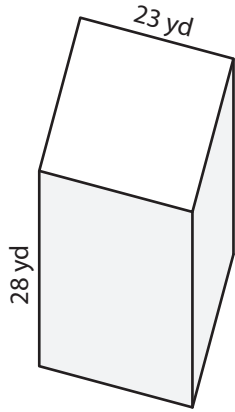
Name: _____

Volume - Prism

L2S3

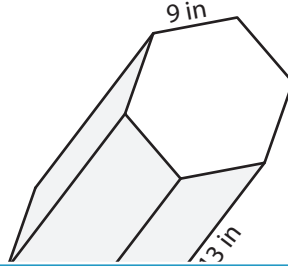
A) Find the volume of each regular prism. Round your answer to two decimal places.

1)

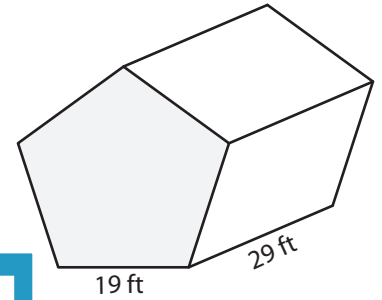


Volume = _____

2)



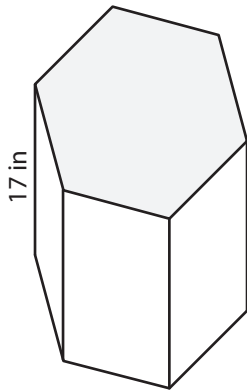
3)



Volume = _____

B) Find the volume of each regular prism. Round your answer to two decimal places.

4) Perimeter = 66 in



Volume = _____

Gain complete access to the largest collection of worksheets in all subjects!

Members, please log in to download this worksheet.

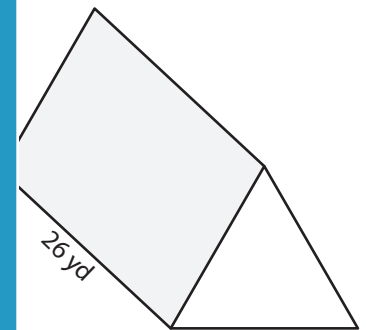
Not a member? Please sign up to gain complete access.

www.mathworksheets4kids.com

Volume = _____

5) Perimeter = 54 yd

Perimeter = 54 yd



Volume = _____

C) Find the volume of the regular hexagonal prism with a base perimeter of 48 yards and a height of 13 yards. Round your answer to two decimal places.

Name: _____

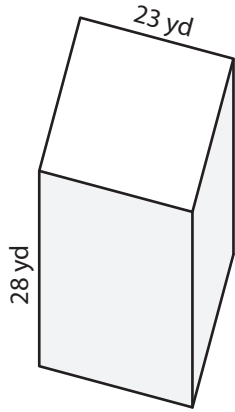
Answer key

Volume - Prism

L2S3

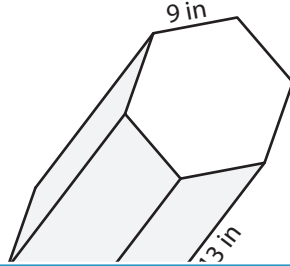
A) Find the volume of each regular prism. Round your answer to two decimal places.

1)

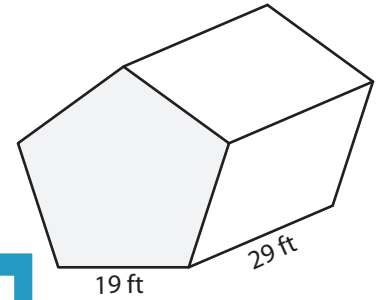


Volume = 14,812 yd³

2)



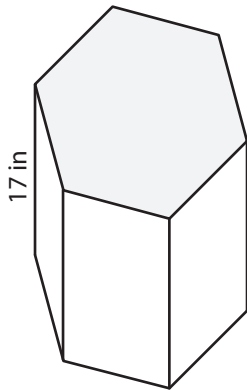
3)



Volume = 18,011.68 ft³

B) Find the volume of each regular prism. Round your answer to two decimal places.

4) Perimeter = 66 in



Volume = 5,344.24 in³

Gain complete access to the largest collection of worksheets in all subjects!

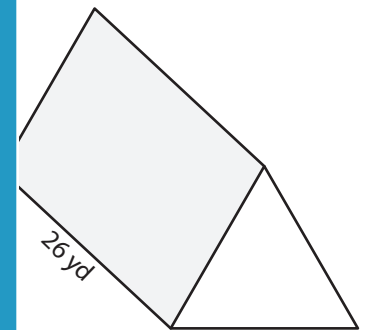
Members, please log in to download this worksheet.

Not a member? Please sign up to gain complete access.

www.mathworksheets4kids.com

Volume = 17,837.91 ft³

5) Perimeter = 54 yd



Volume = 3,647.7 yd³

C) Find the volume of the regular hexagonal prism with a base perimeter of 48 yards and a height of 13 yards. Round your answer to two decimal places.

2,161.6 cubic yards