

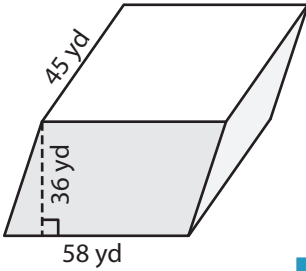
Name: \_\_\_\_\_

## Volume - Prism

MS3

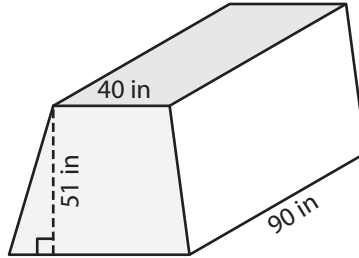
Find the volume of each shape.

1)

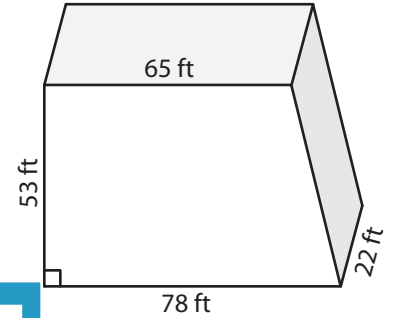


Volume = \_\_\_\_\_

2)

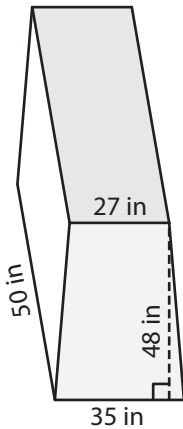


3)



Volume = \_\_\_\_\_

4)



Volume = \_\_\_\_\_

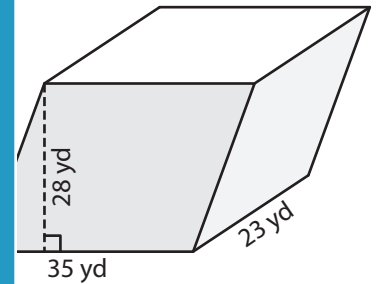
**PREVIEW**

Gain complete access to the largest collection of worksheets in all subjects!

Members, please log in to download this worksheet.

Not a member? Please sign up to gain complete access.

[www.mathworksheets4kids.com](http://www.mathworksheets4kids.com)



Volume = \_\_\_\_\_

7) The base of a prism is a parallelogram with a base of 10 yards and a height of 10 yards respectively. Find the volume of the prism.

\_\_\_\_\_ and 10 yards respectively.

8) The base of a prism is a trapezoid whose parallel bases measure 30 inches and 25 inches. The distance between the parallel bases is 23 inches. Find the volume of the prism if its length is 42 inches.

Name: \_\_\_\_\_

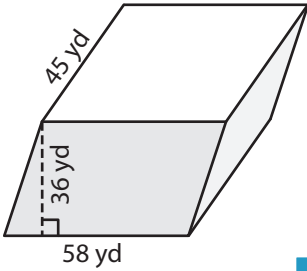
## Answer key

### Volume - Prism

MS3

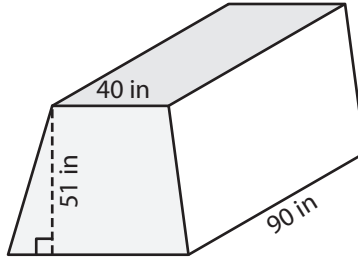
Find the volume of each shape.

1)

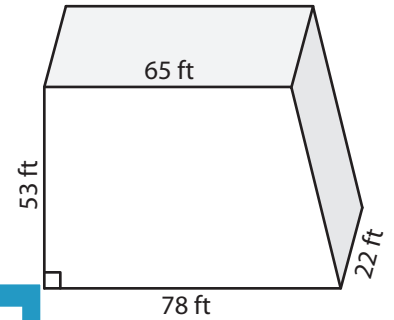


Volume = 93,960 yd<sup>3</sup>

2)

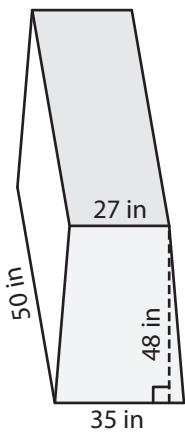


3)



Volume = 83,369 ft<sup>3</sup>

4)



Volume = 74,400 in<sup>3</sup>

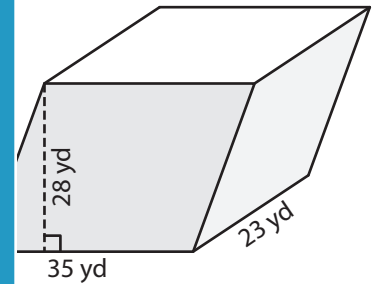
**PREVIEW**

Gain complete access to the largest collection of worksheets in all subjects!

Members, please log in to download this worksheet.

Not a member? Please sign up to gain complete access.

[www.mathworksheets4kids.com](http://www.mathworksheets4kids.com)



Volume = 22,540 yd<sup>3</sup>

7) The base of a prism is a parallelogram with a base of 10 yards and a height of 10 yards respectively. Find the volume of the prism.

8,060 cubic yards

8) The base of a prism is a trapezoid whose parallel bases measure 30 inches and 25 inches. The distance between the parallel bases is 23 inches. Find the volume of the prism if its length is 42 inches.

26,565 cubic inches