

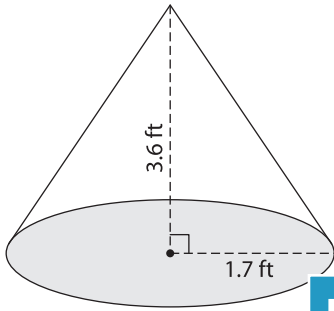
Name : _____

Volume - Cones and Pyramids

Decimals: S1

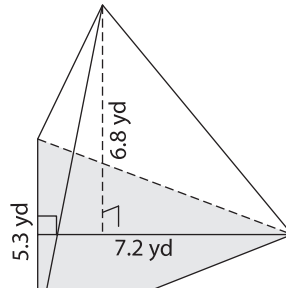
Find the volume of each shape. Round your answer to two decimal places. (use $\pi = 3.14$)

1)

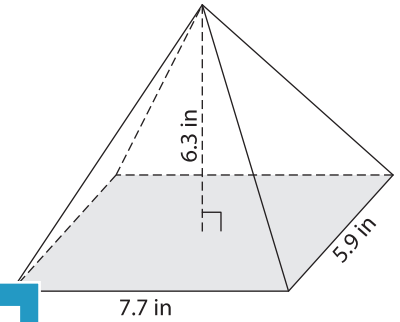


Volume = _____

2)

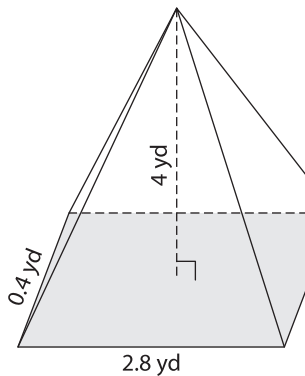


3)



Volume = _____

4)



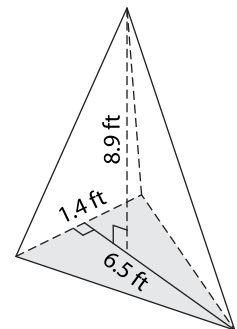
Volume = _____

PREVIEW
Gain complete access to the largest collection of worksheets in all subjects!

Members, please log in to download this worksheet.

Not a member? Please sign up to gain complete access.

www.mathworksheets4kids.com



Volume = _____

7) The base of a pyramid is a square with a side length of 9 feet. The height of the pyramid is 9 feet. What is the volume of the pyramid?

8) Find the volume of a cone whose radius is 3.5 yards and height is 8.3 yards. Round your answer to two decimal places. (use $\pi = 3.14$)
