

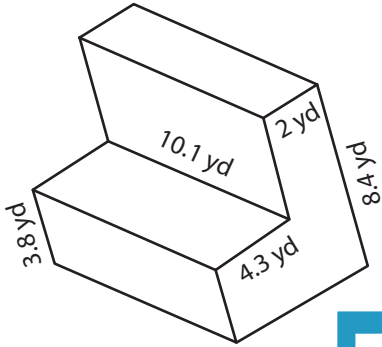
Name : \_\_\_\_\_

## Volume - Rectangular Prism

DS1

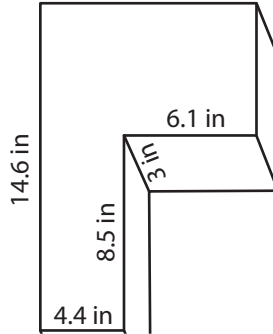
Find the volume of each L - block. Round your answers to two decimal places.

1)

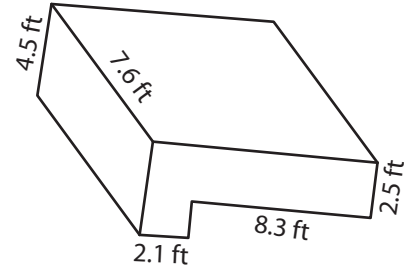


Volume = \_\_\_\_\_

2)

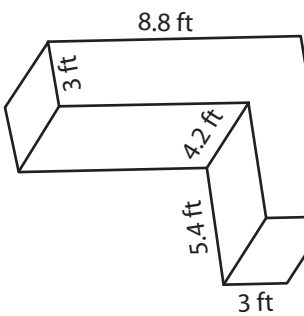


3)



Volume = \_\_\_\_\_

4)



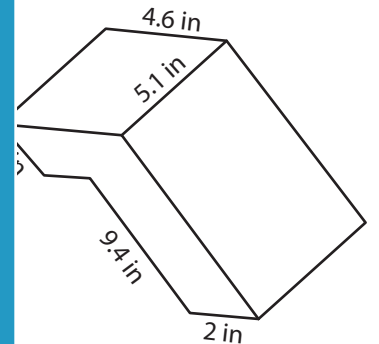
Volume = \_\_\_\_\_

Gain complete access to the largest collection of worksheets in all subjects!

Members, please log in to download this worksheet.

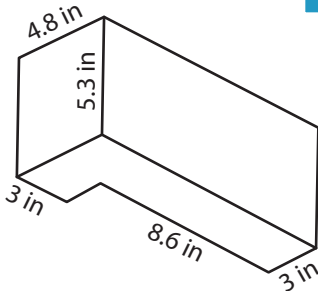
Not a member? Please sign up to gain complete access.

[www.mathworksheets4kids.com](http://www.mathworksheets4kids.com)

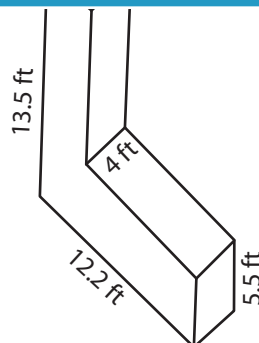


Volume = \_\_\_\_\_

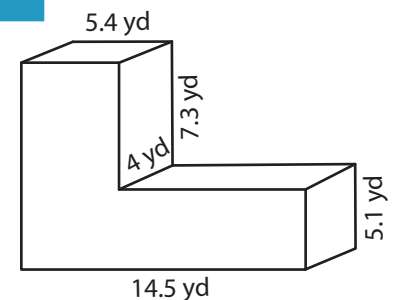
7)



Volume = \_\_\_\_\_



Volume = \_\_\_\_\_



Volume = \_\_\_\_\_

Name : \_\_\_\_\_

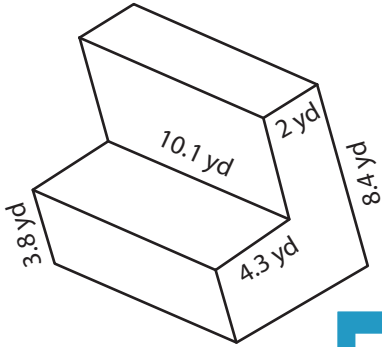
## Answer key

DS1

### Volume - Rectangular Prism

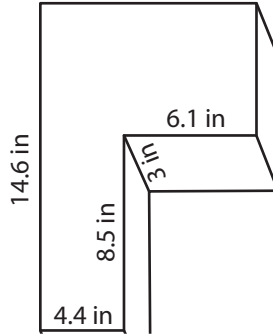
Find the volume of each L - block. Round your answers to two decimal places.

1)

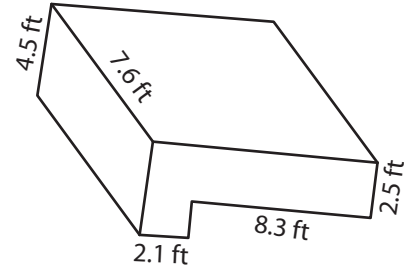


Volume = 334.71 yd<sup>3</sup>

2)

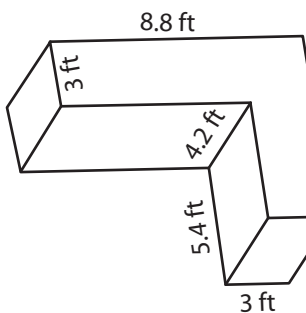


3)



Volume = 229.52 ft<sup>3</sup>

4)



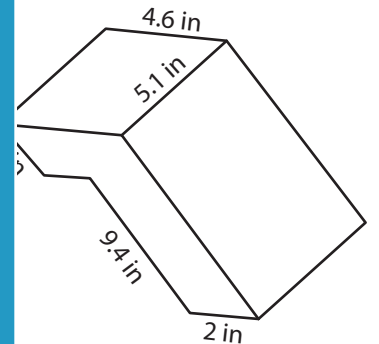
Volume = 178.92 ft<sup>3</sup>

Gain complete access to the largest collection of worksheets in all subjects!

Members, please log in to download this worksheet.

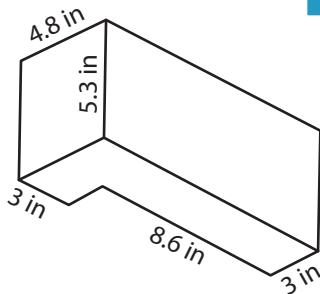
Not a member? Please sign up to gain complete access.

[www.mathworksheets4kids.com](http://www.mathworksheets4kids.com)

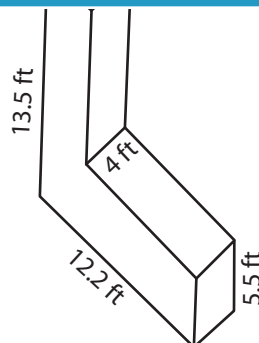


Volume = 142.8 in<sup>3</sup>

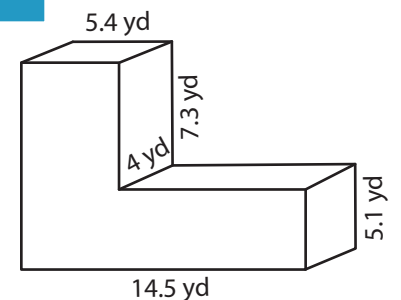
7)



Volume = 213.06 in<sup>3</sup>



Volume = 484.4 ft<sup>3</sup>



Volume = 453.48 yd<sup>3</sup>