

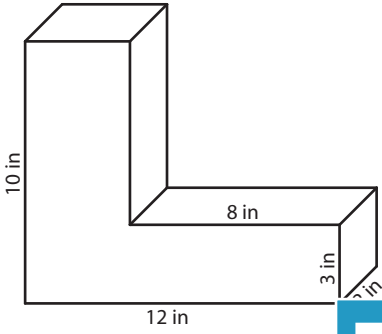
Name : _____

Volume - Rectangular Prism

ES1

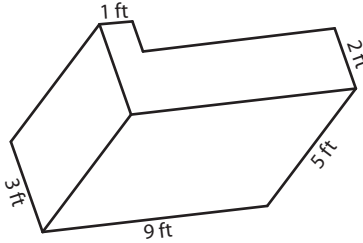
Find the volume of each L - block.

1)

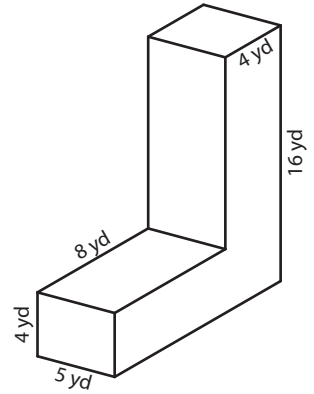


Volume = _____

2)

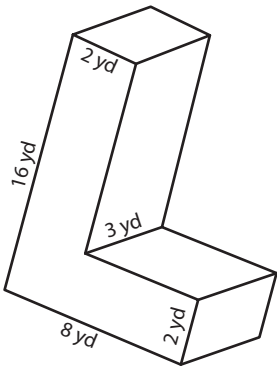


3)



Volume = _____

4)



Volume = _____

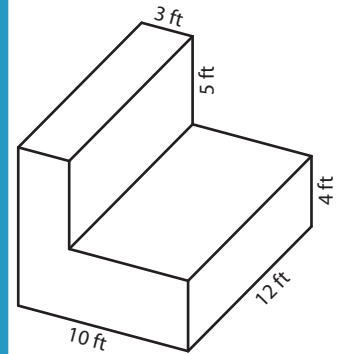
PREVIEW

Gain complete access to the largest collection of worksheets in all subjects!

Members, please log in to download this worksheet.

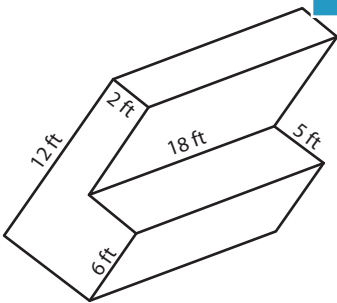
Not a member? Please sign up to gain complete access.

www.mathworksheets4kids.com

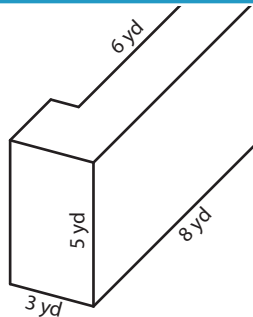


Volume = _____

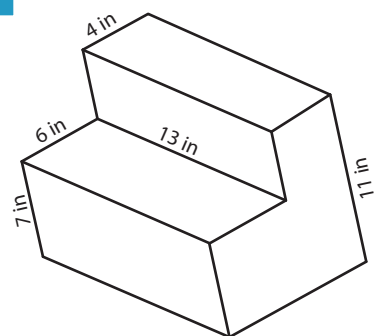
7)



Volume = _____



Volume = _____



Volume = _____

Name : _____

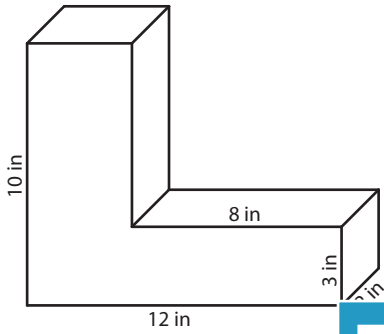
Answer key

Volume - Rectangular Prism

ES1

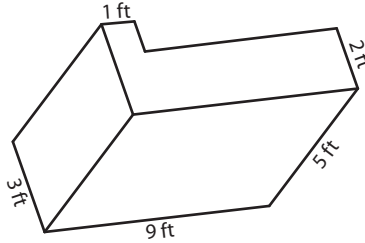
Find the volume of each L - block.

1)

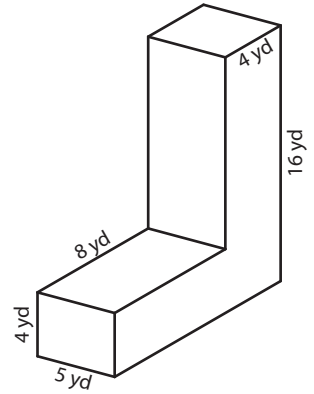


Volume = 128 in³

2)

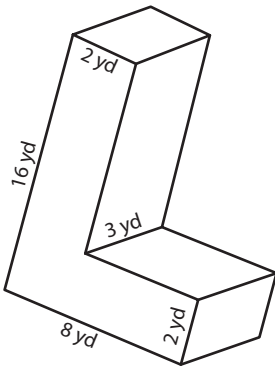


3)



Volume = 480 yd³

4)



Volume = 132 yd³

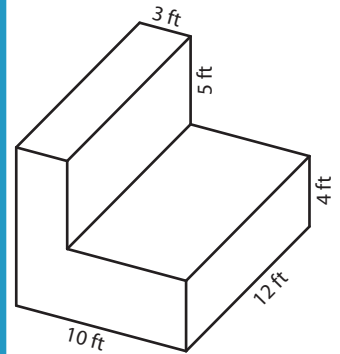
PREVIEW

Gain complete access to the largest collection of worksheets in all subjects!

Members, please log in to download this worksheet.

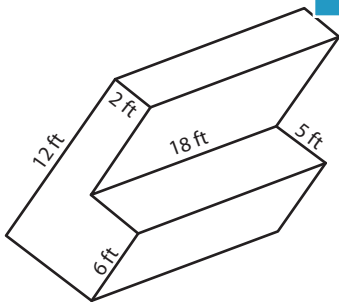
Not a member? Please sign up to gain complete access.

www.mathworksheets4kids.com

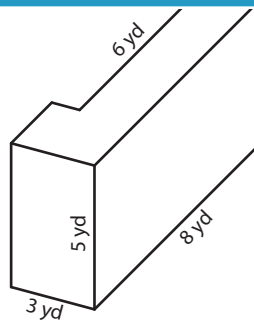


Volume = 660 ft³

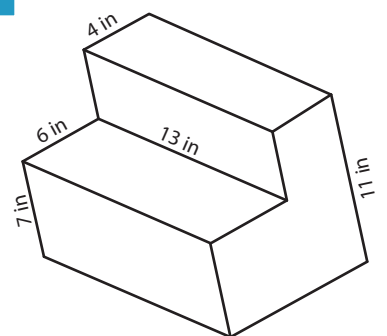
7)



Volume = 972 ft³



Volume = 90 yd³



Volume = 1,118 in³