

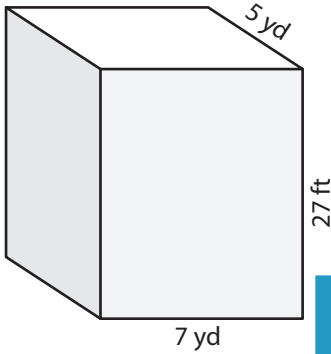
Name : \_\_\_\_\_

## Volume - Rectangular Prism

Sheet 3

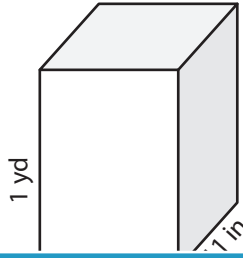
A) Find the volume of each rectangular prism.

1)



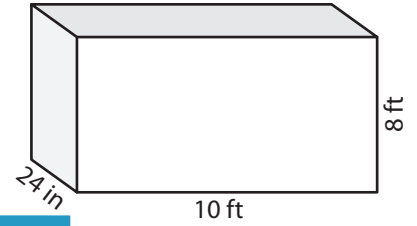
Volume = \_\_\_\_\_

2)



Volume = \_\_\_\_\_

3)



Volume = \_\_\_\_\_  $\text{ft}^3$

B) Find the volume of each rectangular prism.

4) width = 18 yd ; length = 2 yd ; height = 1 yd

Volume = \_\_\_\_\_

6) length = 19 ft ; width = 14 ft ; height = 10 ft

Volume = \_\_\_\_\_  $\text{ft}^3$

Gain complete access to the largest collection of worksheets in all subjects!

Members, please log in to download this worksheet.

Not a member? Please sign up to gain complete access.

[www.mathworksheets4kids.com](http://www.mathworksheets4kids.com)

Volume = \_\_\_\_\_  $\text{yd}^3$

8) The length, width and height of a rectangular prism are 17 yards, 9 inches and 13 yards respectively. What is its volume in cubic yards?

\_\_\_\_\_

Name : \_\_\_\_\_

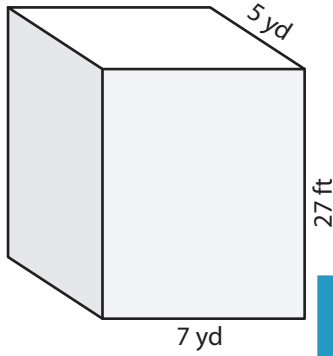
# Answer key

## Volume - Rectangular Prism

Sheet 3

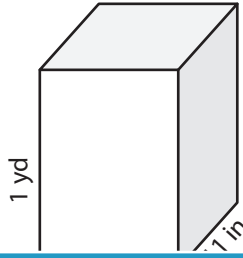
A) Find the volume of each rectangular prism.

1)

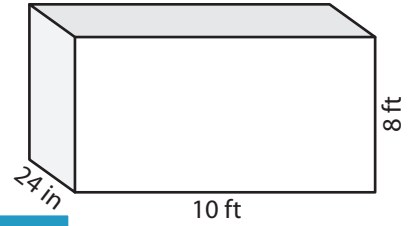


Volume = 315

2)



3)



Volume = 160 ft<sup>3</sup>

B) Find the volume of each rectangular prism.

4) width = 18 yd ; length = 25 yd ; height = 7 yd

Volume = 253

6) length = 19 ft ; width = 14 ft ; height = 12 ft

Volume = 6,384 ft<sup>3</sup>

Volume = 780 yd<sup>3</sup>

8) The length, width and height of a rectangular prism are 17 yards, 9 inches and 13 yards respectively. What is its volume in cubic yards?

55.25 cubic yards

**PREVIEW**

Gain complete access to the largest collection of worksheets in all subjects!

Members, please log in to download this worksheet.

Not a member? Please sign up to gain complete access.

[www.mathworksheets4kids.com](http://www.mathworksheets4kids.com)