

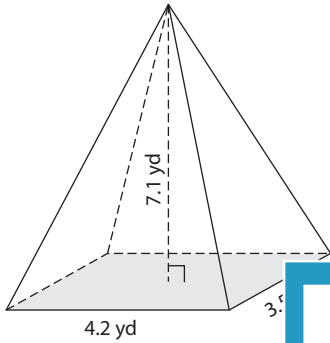
Name : _____

Decimals: S1

Volume - Rectangular Pyramid

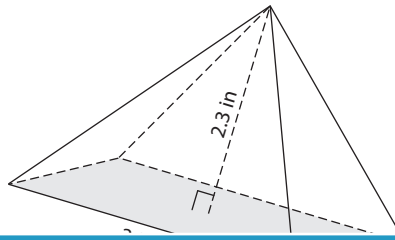
A) Find the volume of each rectangular pyramid. Round your answer to two decimal places.

1)

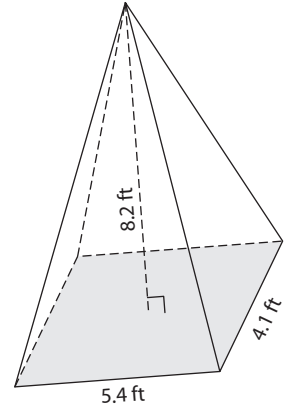


Volume = _____

2)



3)



Volume = _____

B) Find the volume of each rectangular pyramid. Round your answer to two decimal places.

4) height = 3.8 in ; length = 5.2 in ; width = 4.1 in

Volume = _____

6) length = 8.3 ft ; width = 6.2 ft ; height = 9.4 yd

Volume = _____

PREVIEW
Gain complete access to the largest collection of worksheets in all subjects!

Members, please log in to download this worksheet.

Not a member? Please sign up to gain complete access.

www.mathworksheets4kids.com

Volume = _____

8) The length, width and height of a rectangular pyramid are 7.7 feet, 1.3 feet and 6.7 feet respectively. What is its volume? Round your answer to two decimal places.

Name : _____

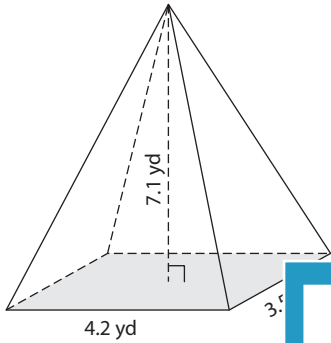
Answer key

Decimals: S1

Volume - Rectangular Pyramid

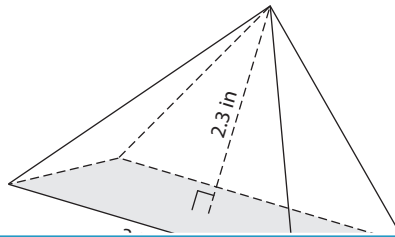
A) Find the volume of each rectangular pyramid. Round your answer to two decimal places.

1)

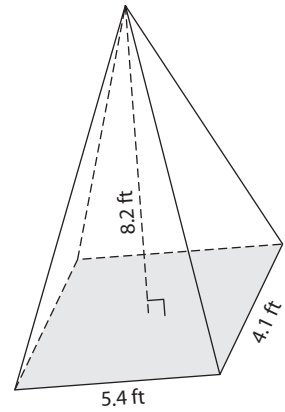


Volume = 34.79 yd³

2)



3)



Volume = 60.52 ft³

B) Find the volume of each rectangular pyramid. Round your answer to two decimal places.

4) height = 3.8 in ; length = 3.5 in ; width = 2.5 in

Volume = 12.31 in³

6) length = 8.3 ft ; width = 6.5 ft ; height = 4.5 ft

Volume = 106.9 ft³

5) length = 9.4 yd ; length = 6 yd ; height = 2.5 yd

Volume = 76 yd³

7) length = 7.8 in ; length = 9.5 in ; height = 1.3 in

Volume = 98.8 in³

8) The length, width and height of a rectangular pyramid are 7.7 feet, 1.3 feet and 6.7 feet respectively. What is its volume? Round your answer to two decimal places.

22.36 cubic feet

PREVIEW

Gain complete access to the largest collection of worksheets in all subjects!

Members, please log in to download this worksheet.

Not a member? Please sign up to gain complete access.

www.mathworksheets4kids.com