

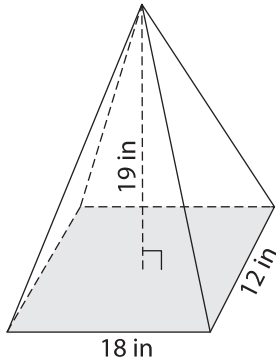
Name : _____

Volume - Rectangular Pyramid

ES1

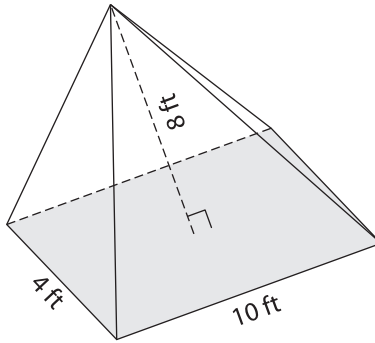
A) Find the volume of each rectangular pyramid. Round your answer to two decimal places.

1)



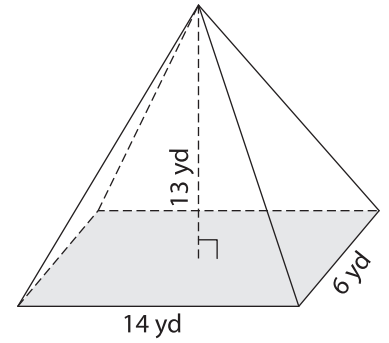
Volume = _____

2)



Volume = _____

3)



Volume = _____

B) Find the volume of each rectangular pyramid from the given parameters. Round your answer to two decimal places.

4) length = 9 in ; width = 7 in ; height = 5 in

Volume = _____

5) width = 1 ft ; height = 20 ft ; length = 5 ft

Volume = _____

6) height = 9 yd ; length = 17 yd ; width = 16 yd

Volume = _____

7) length = 11 in ; height = 7 in ; width = 3 in

Volume = _____

8) A rectangular pyramid has a length of 15 feet, a width of 10 feet and a height of 2 feet. Determine the volume of the pyramid.
