

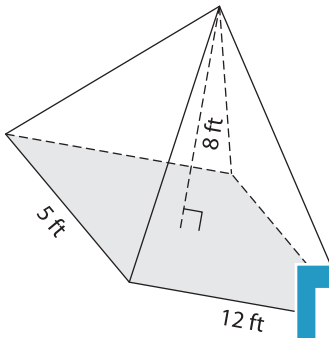
Name : \_\_\_\_\_

## Volume - Rectangular Pyramid

ES2

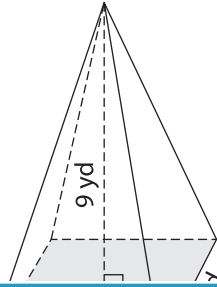
A) Find the volume of each rectangular pyramid. Round your answer to two decimal places.

1)

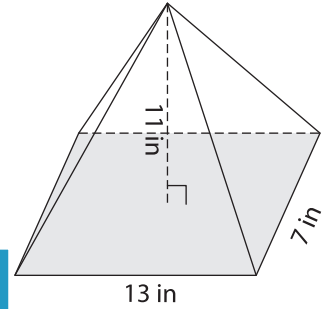


Volume = \_\_\_\_\_

2)



3)



Volume = \_\_\_\_\_

B) Find the volume of each rectangular pyramid. Round your answer to two decimal places.

4) width = 16 ft ; height = 3 ft

Volume = \_\_\_\_\_

6) length = 19 in ; width = 14 in

Volume = \_\_\_\_\_

Gain complete access to the largest collection of worksheets in all subjects!

Members, please log in to download this worksheet.

Not a member? Please sign up to gain complete access.

[www.mathworksheets4kids.com](http://www.mathworksheets4kids.com)

Volume = \_\_\_\_\_

8) Find the volume of a rectangular pyramid whose length, width and height are 9 yards, 6 yards and 12 yards respectively.

\_\_\_\_\_