

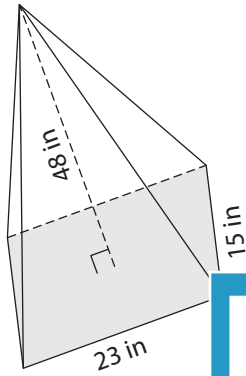
Name : \_\_\_\_\_

## Volume - Rectangular Pyramid

MS1

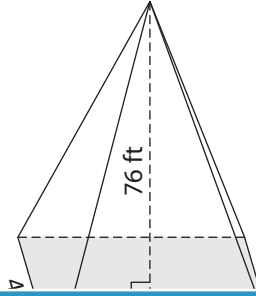
A) Find the volume of each rectangular pyramid. Round your answer to two decimal places.

1)

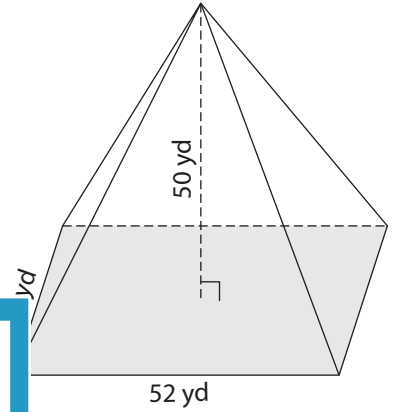


Volume = \_\_\_\_\_

2)



3)



Volume = \_\_\_\_\_

B) Find the volume of each rectangular pyramid. Round your answer to two decimal places.

4) height = 57 in ; length = 6 in ; width = 4 in

Volume = \_\_\_\_\_

6) length = 27 yd ; width = 2 yd ; height = 15 yd

Volume = \_\_\_\_\_

**PREVIEW**  
Gain complete access to the largest collection of worksheets in all subjects!

Members, please log in to download this worksheet.

Not a member? Please sign up to gain complete access.

[www.mathworksheets4kids.com](http://www.mathworksheets4kids.com)

5) length = 25 ft ; width = 12 ft ; height = 36 ft

Volume = \_\_\_\_\_

7) length = 53 in ; width = 20 in ; height = 88 in

Volume = \_\_\_\_\_

8) The length, width and height of a rectangular pyramid are 31 feet, 20 feet and 90 feet respectively. What is its volume?

\_\_\_\_\_

Name : \_\_\_\_\_

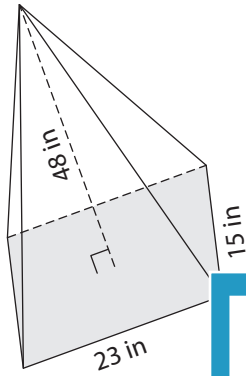
## Answer key

# Volume - Rectangular Pyramid

MS1

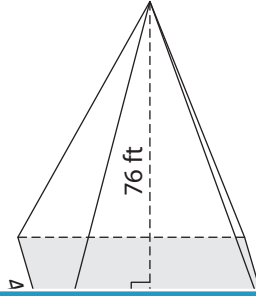
A) Find the volume of each rectangular pyramid. Round your answer to two decimal places.

1)

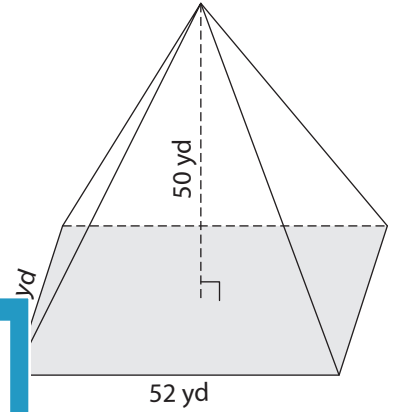


Volume = 5,520 in<sup>3</sup>

2)



3)



Volume = 25,133.33 yd<sup>3</sup>

B) Find the volume of each rectangular pyramid. Round your answer to two decimal places.

4) height = 57 in ; length = 60 in ; width = 50 in

Volume = 90,450 in<sup>3</sup>

6) length = 27 yd ; width = 20 yd ; height = 40 yd

Volume = 3,591 yd<sup>3</sup>

5) length = 25 ft ; width = 36 ft ; height = 40 ft

Volume = 144,000 ft<sup>3</sup>

7) length = 53 in ; width = 20 in ; height = 88 in

Volume = 66,850.67 in<sup>3</sup>

8) The length, width and height of a rectangular pyramid are 31 feet, 20 feet and 90 feet respectively. What is its volume?

18,600 cubic feet

**PREVIEW**

Gain complete access to the largest collection of worksheets in all subjects!

Members, please log in to download this worksheet.

Not a member? Please sign up to gain complete access.

[www.mathworksheets4kids.com](http://www.mathworksheets4kids.com)