

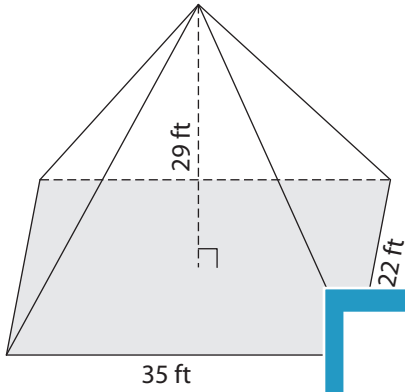
Name : _____

Volume - Rectangular Pyramid

MS2

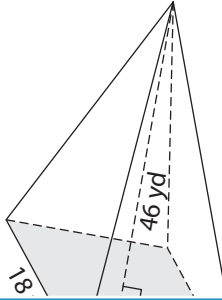
A) Find the volume of each rectangular pyramid. Round your answer to two decimal places.

1)

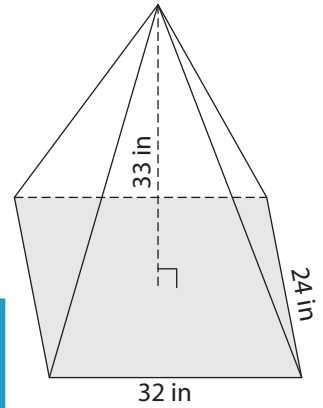


Volume = _____

2)



3)



Volume = _____

B) Find the volume of each rectangular pyramid. Round your answer to two decimal places.

4) length = 56 ft ; width = 41 ft ; height = 28 ft

Volume = _____

6) length = 38 in ; height = 30 in ; width = 47 in

Volume = _____

5) length = 75 yd ; width = 67 yd ; height = 46 yd

Volume = _____

Volume = _____

8) A rectangular pyramid has a length of 26 yards, a width of 14 yards and a height of 71 yards. Find the volume of the pyramid. Round your answer to two decimal places.

PREVIEW

Gain complete access to the largest collection of worksheets in all subjects!

Members, please log in to download this worksheet.

Not a member? Please sign up to gain complete access.

www.mathworksheets4kids.com

Name : _____

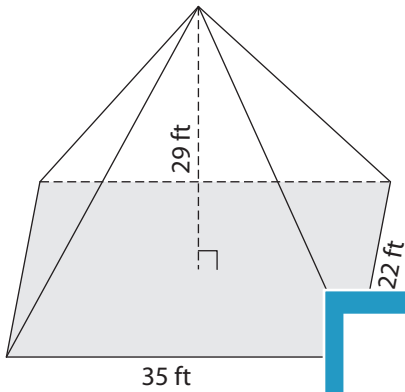
Answer key

Volume - Rectangular Pyramid

MS2

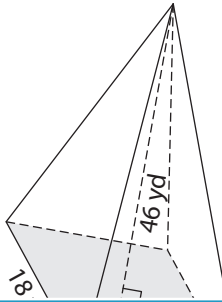
A) Find the volume of each rectangular pyramid. Round your answer to two decimal places.

1)

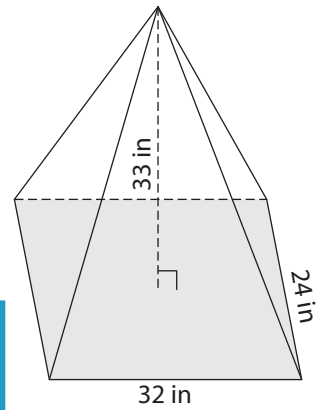


Volume = 7,443.33

2)



3)



Volume = 8,448 in³

B) Find the volume of each rectangular pyramid. Round your answer to two decimal places.

4) length = 56 ft ; width = 41 ft ; height = 165 ft

Volume = 47,450.67

5) length = 75 yd ; width = 67 yd ; height = 100 yd

Volume = 25 yd³

6) length = 47 ft ; width = 38 in ; height = 30 ft

Volume = 23,585.33 in³

7) A rectangular pyramid has a length of 26 yards, a width of 14 yards and a height of 71 yards. Find the volume of the pyramid. Round your answer to two decimal places.

Volume = 25,380 ft³

8,614.67 cubic yards

PREVIEW

Gain complete access to the largest collection of worksheets in all subjects!

Members, please log in to download this worksheet.

Not a member? Please sign up to gain complete access.

www.mathworksheets4kids.com